

220 x 220 x 60 mm

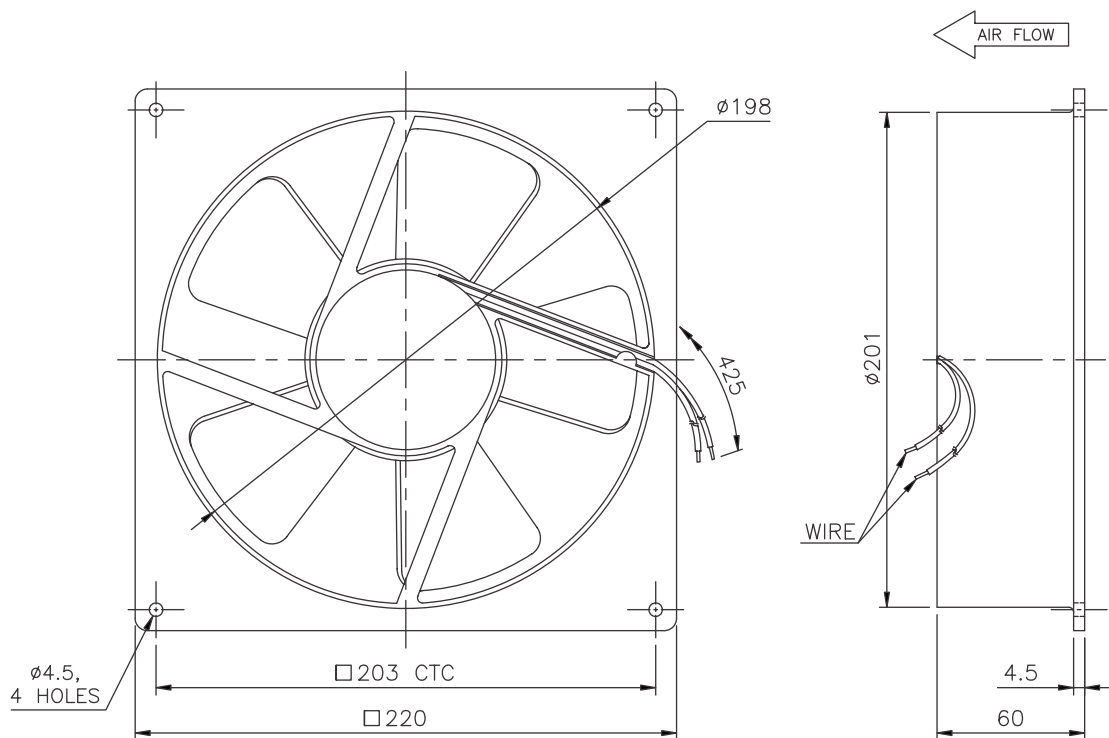
- Motor Design : Shaded Pole
- Housing : Aluminium Die-cast
- Impellor : Nylon 66
- Bearing : Sleeve or Ball Bearing
- Operating Voltage : 230V (185 - 245 VAC)
- Dielectric Strength : AC 1500V for 1 minute
- Insulation : Class B
- Insulation Resistance : Above 100M Ohms at 500 VDC
- Connection : Lead Wire
- Motor Protection : Impedance Protected
- Operating Temperature : - 10 to +70°C for Sleeve Bearing
- 20 to +70°C for Ball Bearing
- Net Weight : 1325 Grams



Specification

Model No.	Code No.	Bearing	Voltage	Frequency	Current	Input Power	Speed	Air Flow	Static Pressure	Noise	Box Packing
REC			V	Hz	A	W	RPM	CFM	mm H ₂ O	dB(A)	Nos.
22060 S A2 W	AC156	Sleeve	230	50	0.40	60	2400	360	22	56	10
22060 S B2 W	AC155	Ball	230	50	0.40	60	2450	360	22	56	10

Note : S = Square A = Sleeve Bearing B = Ball Bearing 2 = 230 Volt W = Lead Wire



* Specifications Subject to Change Without Notice