

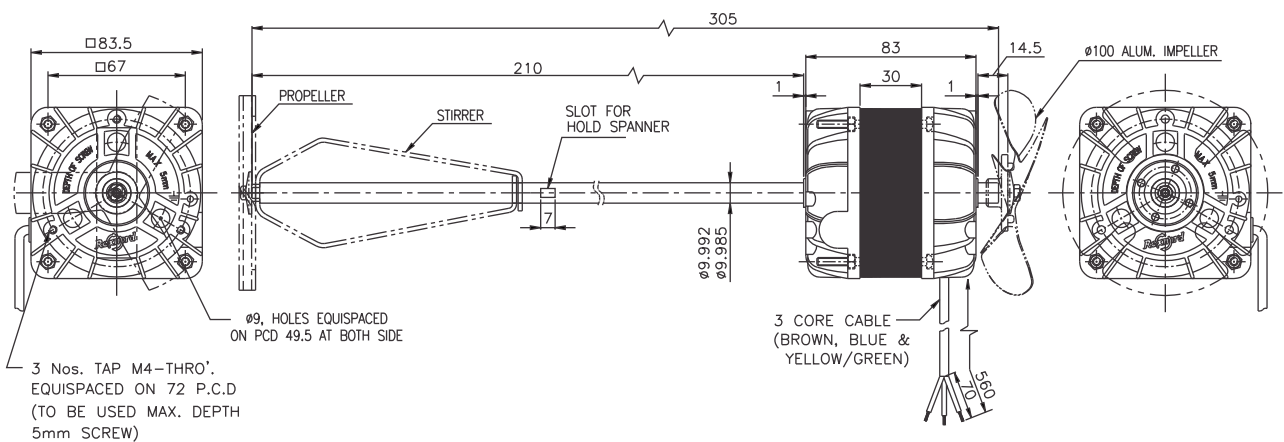
83 x 83 x 30 mm

- Motor Design : Shaded Pole (Agitator Motor)
- Housing : Aluminium Die-cast
- Bearing : Ball Bearing
- Operating Voltage : 230V (185 - 245 VAC)
- Dielectric Strength : AC 1500V for 1 minute
- Insulation : Class B
- Insulation Resistance : Above 100M Ohms at 500 VDC
- Connection : Lead Wire
- Motor Protection : Thermal Protected
- Direction of Rotation : CCW
- Operating Temperature : - 40 to + 40°C



Specification

| Model | Code No | Voltage | Frequency | Current | Input Power | Output Power | Speed |
|--------------|---------|---------|-----------|---------|-------------|--------------|-------|
| REC | | V | Hz | A | W | W | RPM |
| 8330 - 18 B2 | QM083 | 230 | 50 | 0.36 | 38 | 18 | 1450 |



* Specifications Subject to Change Without Notice