

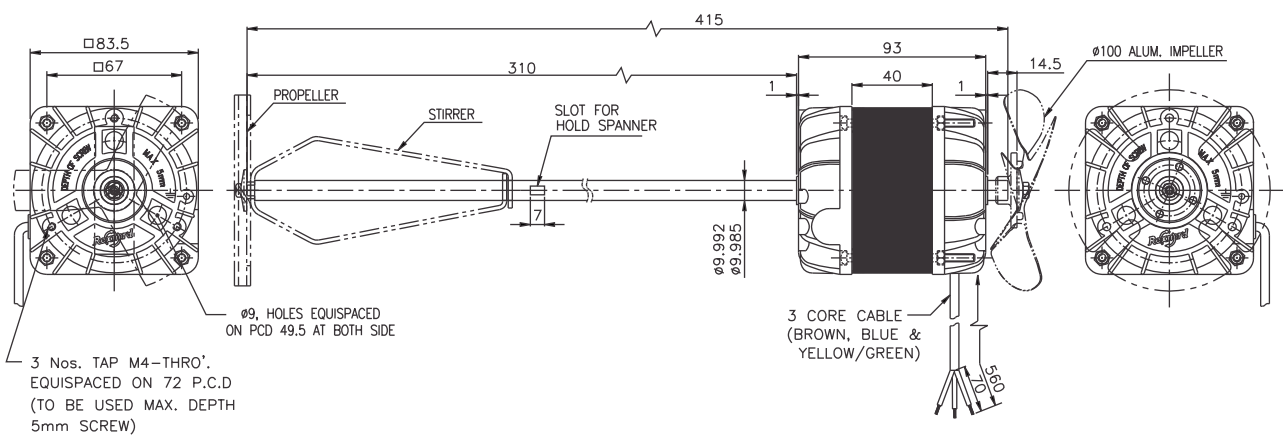
83 x 83 x 40 mm

- Motor Design : Shaded Pole (Agitator Motor)
- Housing : Aluminium Die-cast
- Bearing : Ball Bearing
- Operating Voltage : 230V (185 - 245 VAC)
- Dielectric Strength : AC 1500V for 1 minute
- Insulation : Class B
- Insulation Resistance : Above 100M Ohms at 500 VDC
- Connection : Lead Wire
- Motor Protection : Thermal Protected
- Direction of Rotation : CCW
- Operating Temperature : - 40 to + 40°C



Specification

Model	Code No	Voltage	Frequency	Current	Input Power	Output Power	Speed
REC		V	Hz	A	W	W	RPM
8340 - 25 B2	QM119	230	50	0.42	41	25	1450



* Specifications Subject to Change Without Notice