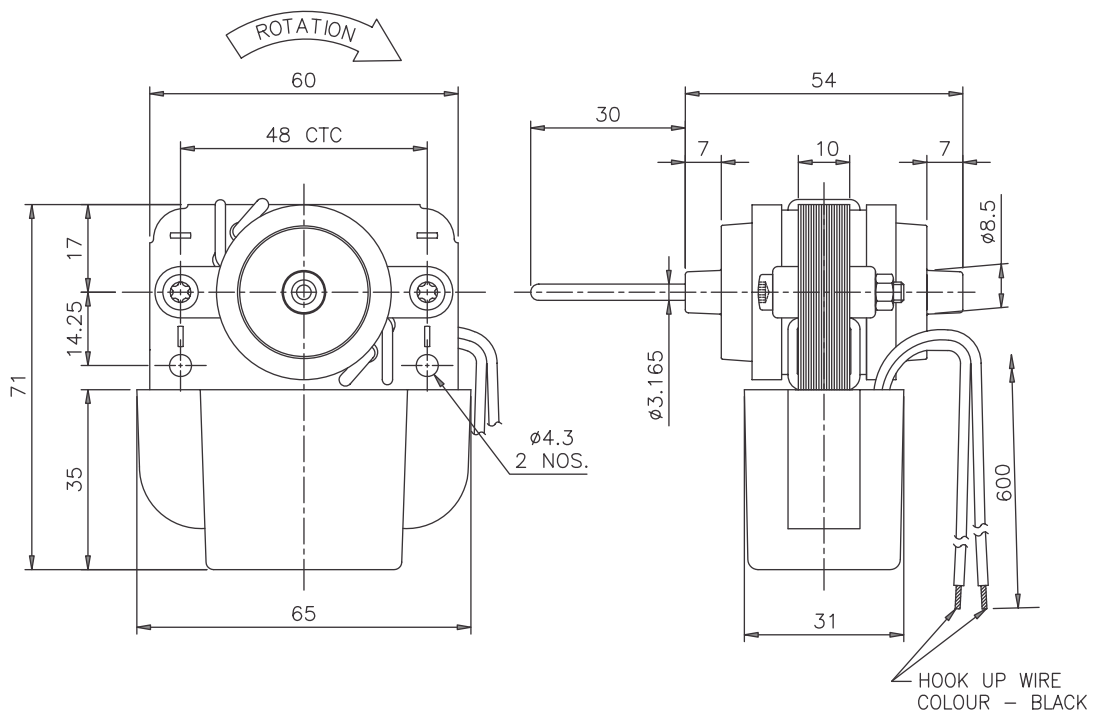


61 x 61 x 10 mm

Motor Design	: Shaded Pole Motor
Housing	: Aluminium Die-cast
Bearing	: Sleeve Bearing
Operating Voltage	: 230V (185 - 245 VAC)
Dielectric Strength	: AC 1500V for 1 minute
Insulation	: Class B
Insulation Resistance	: Above 100M Ohms at 500 VDC
Connection	: Lead Wire
Motor Protection	: Impedance Protected
Direction of Rotation	: CW
Operating Temperature	: - 40 to + 40°C
Net Weight	: 380 Grams



Assembly View



* Specifications Subject to Change Without Notice