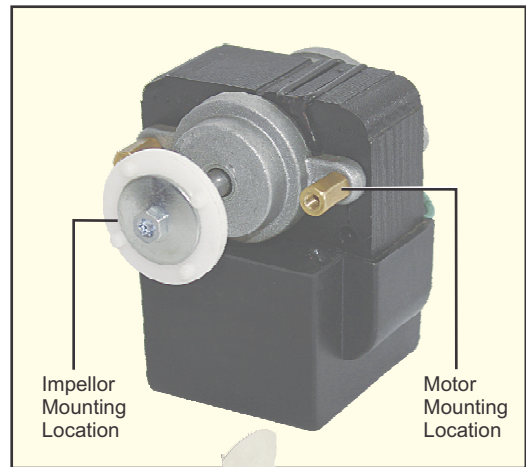


61 x 61 x 20 mm

Motor Design : Shaded Pole Motor
 Housing : Aluminium Die-cast
 Bearing : Sleeve Bearing
 Operating Voltage : 230V (185 - 245 VAC)
 Dielectric Strength : AC 1500V for 1 minute
 Insulation : Class B
 Insulation Resistance : Above 100M Ohms at 500 VDC
 Connection : Lead Wire
 Motor Protection : Impedance Protected
 Direction of Rotation : CCW
 Operating Temperature : - 40 to + 40°C
 Net Weight : 680 Grams



Note : Suitable Impellor

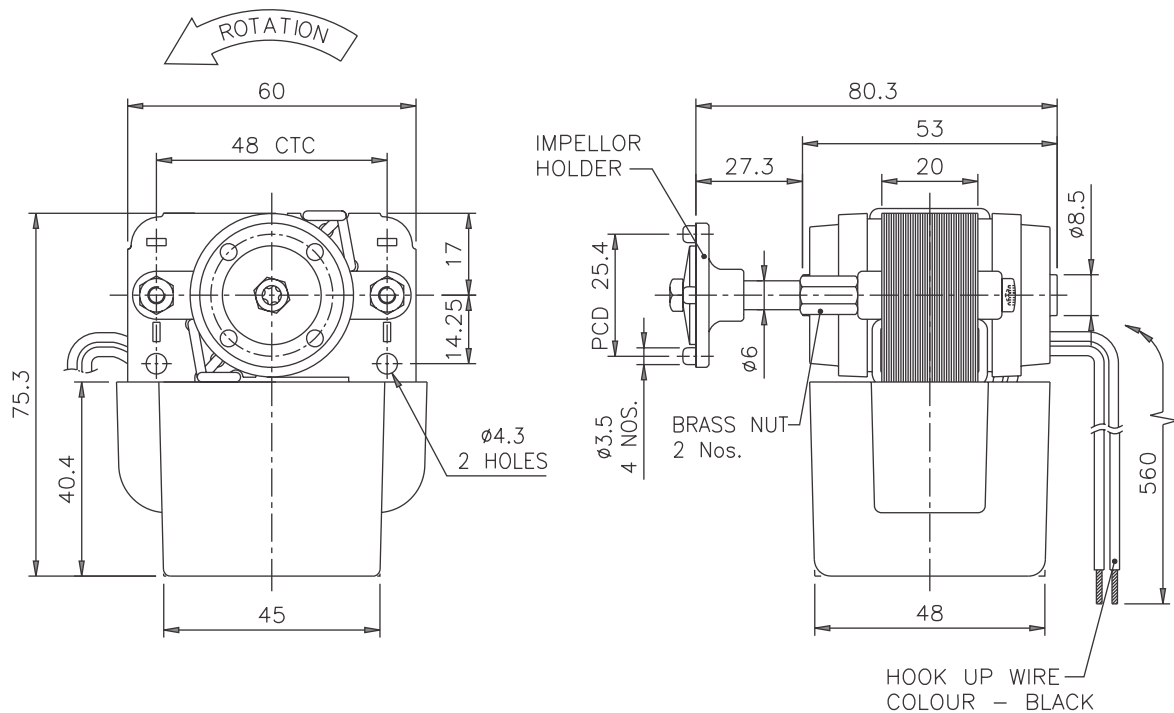
1) Aluminium Impellor Ø 150 mm (Air Flow Throw Type - A) Code No. AI028

Specification (Without Load)

Model No.	Part Code	Rotation	Voltage	Frequency	Current	Input Power	Speed	Box Packing
REC			V	Hz	A	W	RPM	Nos.
6120 A2	CM054	CCW	230	50	0.13	13	2800	20

Note : A = Sleeve Bearing 2 = 230 Volt

Front Mounting Location



* Specifications Subject to Change Without Notice