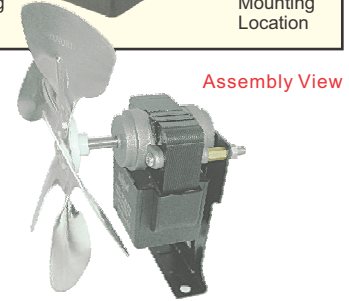
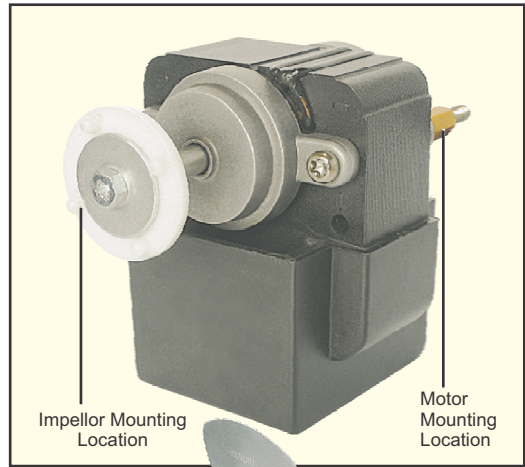


61 x 61 x 25 mm

- Motor Design : Shaded Pole Motor
- Housing : Aluminium Die-cast
- Bearing : Sleeve Bearing
- Operating Voltage : 230V (185 - 245 VAC)
- Dielectric Strength : AC 1500V for 1 minute
- Insulation : Class B
- Insulation Resistance : Above 100M Ohms at 500 VDC
- Connection : Lead Wire
- Motor Protection : Impedance Protected
- Direction of Rotation : CCW
- Operating Temperature : - 40 to + 40°C
- Net Weight : 775 Grams (860 Grams with Potting)



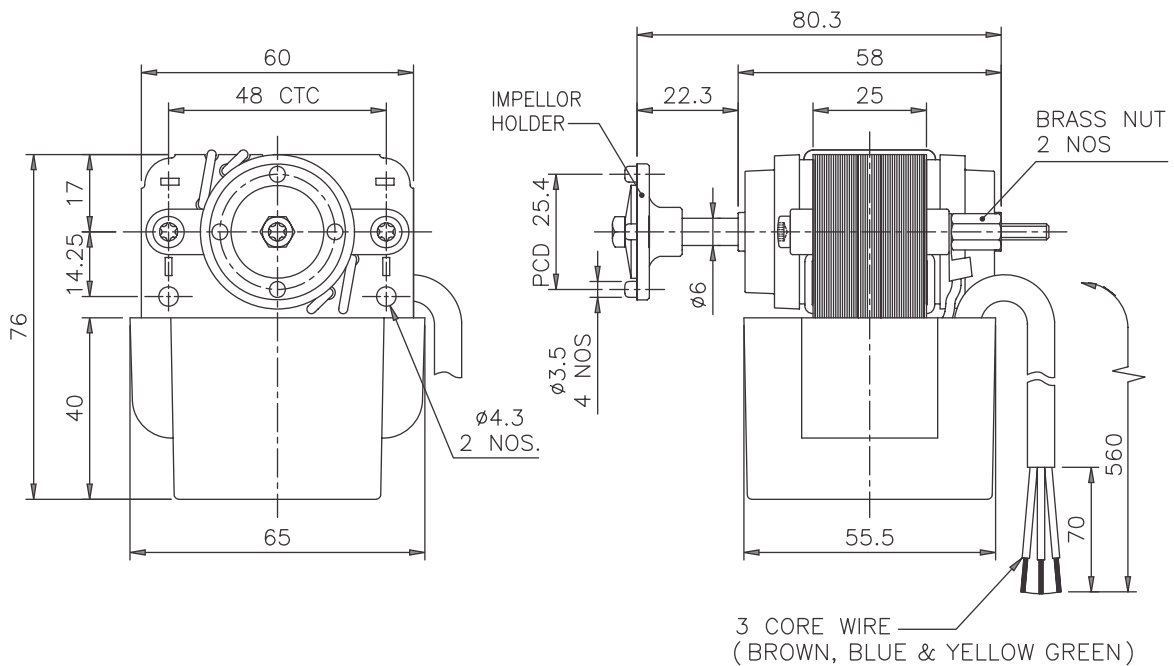
Note : Suitable Impellor

- 1) Aluminium Impellor Ø 150 mm (Air Flow Suction - V) Code No. AI027
- 2) Aluminium Impellor Ø 150 mm (Air Flow Throw - A) Code No. AI028

Specification (Without Load)

Model No.	Part Code	Rotation	Voltage	Frequency	Current	Input Power	Speed	Box Packing
REC			V	Hz	A	W	RPM	Nos.
6125 A2	CM062	CCW	230	50	0.22	18	2900	20

Note : A = Sleeve Bearing 2 = 230 Volt Back Mounting Location



* Specifications Subject to Change Without Notice