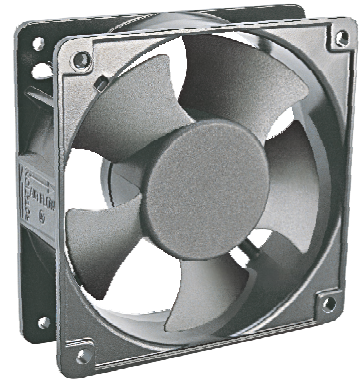


120 x 120 x 38 mm

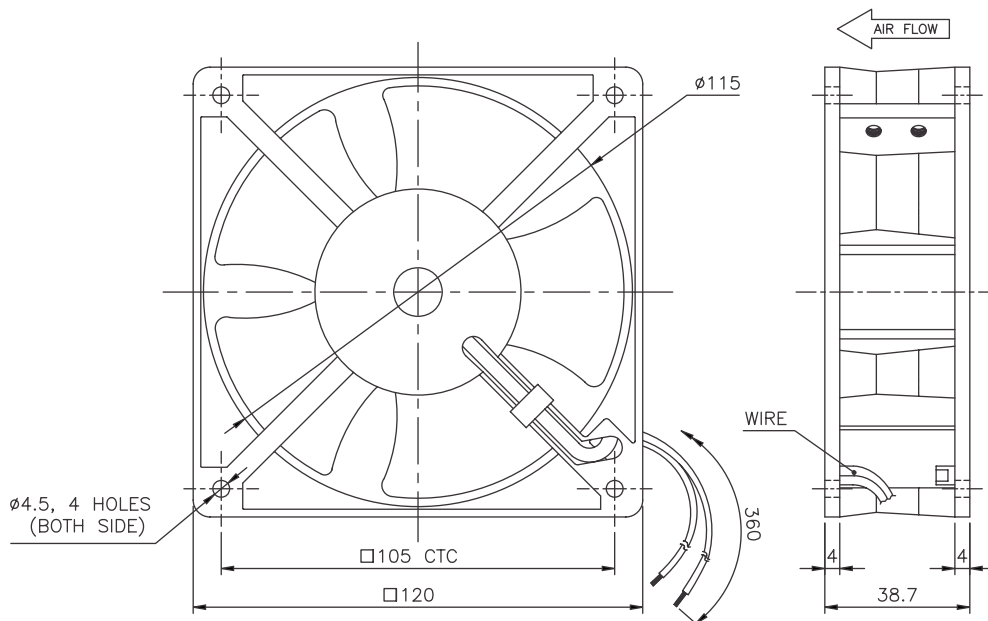
- Motor Design : DC Brushless Motor
- Housing : Aluminium Die-cast
- Impellor : PBT (Polybutylene Terephthalate)
- Bearing : Sleeve or Ball Bearing
- Operating Voltage : 12V (8 ~ 14.8 VDC)
24V (18 ~ 27 VDC)
48V (36 ~ 56 VDC)
- Dielectric Strength : AC 500V for 1 minute
- Insulation Resistance : Above 10M Ohms at 500 VDC
- Connection : Lead Wire
- Motor Protection : Reverse Polarity & Locked Rotor
- Operating Temperature : - 10 to +70°C for Sleeve Bearing
- 20 to +70°C for Ball Bearing
- Net Weight : 330 Grams



Specification

Model	Code No.	Bearing	Voltage	Current	Input Power	Speed	Air Flow	Static Pressure	Noise	Box Packing
REC			V	A	W	RPM	CFM	mm H ₂ O	dB(A)	Nos.
12038 A12 W	DC151	Sleeve	12	0.40	4.8	3000	105	6.8	40	40
12038 B12 W	DC154	Ball	12	0.40	4.8	3050	116	6.8	40	
12038 A24 W	DC152	Sleeve	24	0.17	4.0	2900	105	6.8	40	
12038 B24 W	DC155	Ball	24	0.18	4.3	3000	116	6.8	40	
12038 A48 W	DC153	Sleeve	48	0.13	6.2	3200	105	6.8	40	
12038 B48 W	DC156	Ball	48	0.13	6.2	3250	116	6.8	40	
12038 B48 H W	DC158	Ball	48	0.25	12	4250	164	9	52	

Note : A = Sleeve Bearing B = Ball Bearing 12 = 12 Volt 24 = 24 Volt 48 = 48 Volt W = Lead Wire H = High Speed



* Specifications Subject to Change Without Notice