

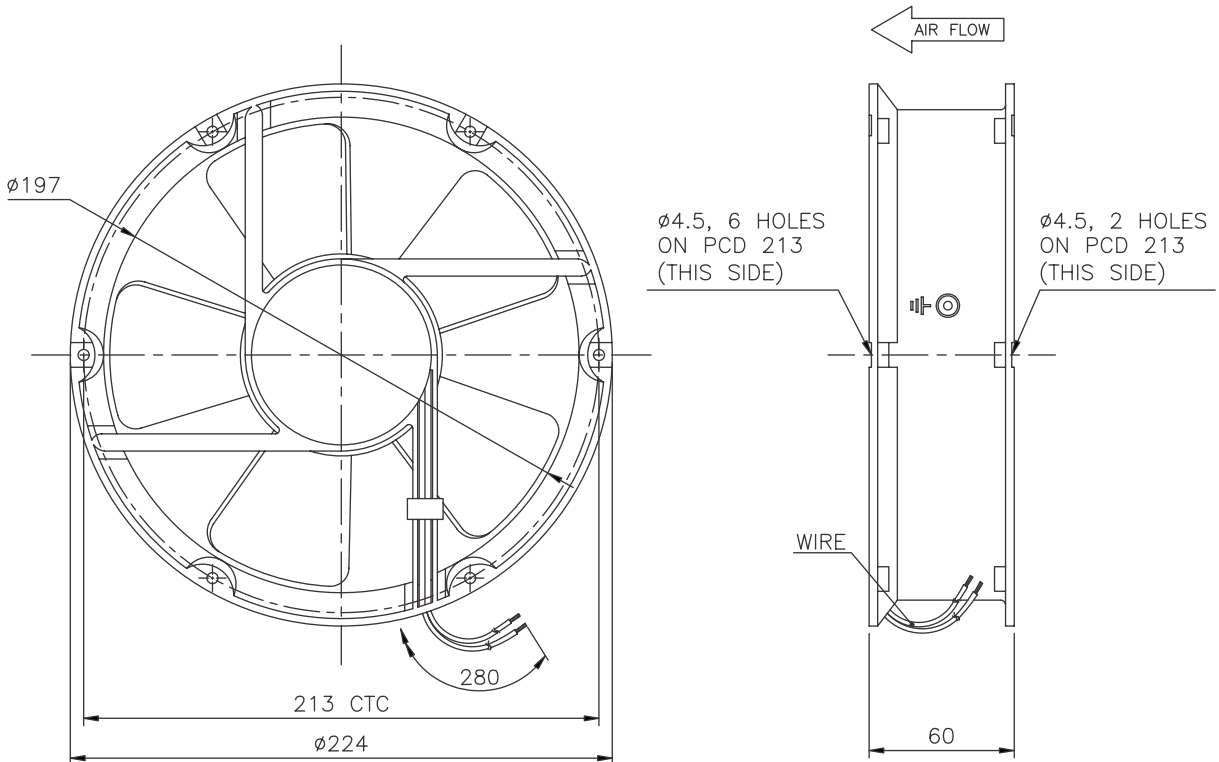
Ø 220 x 60 mm

- Motor Design : DC Brushless Motor
- Housing : Aluminium Die-cast (Painted Black)
- Impellor : Thermoplastic Nylon 66
- Bearing : Ball
- Motor Protection : Reverse Polarity Protected & Locked Rotor
- Operating Temperature : - 10 to + 70°C
- Net Weight : 924 Grams



Specification

Model	Part Code	Bearing	Voltage	Current	Input Power	Speed	Air Flow	Static Pressure	Noise	Box Packing
REC			V	A	W	RPM	CFM	mm H ₂ O	dB(A)	Nos.
22060 B24 W	DC201	Ball	24	1.00	24	2550	400	28	62	10
22060 B48 W	DC211	Ball	48	0.50	24	2600	400	28	62	10



* Specifications Subject to Change Without Notice