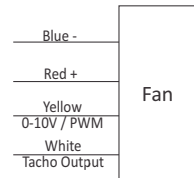


280 x 280 x 80 mm

- Motor Design : DC Brushless Motor
- Housing : Aluminium Die-cast
- Impellor : Metal
- Bearing : Ball
- Operating Voltage : 48V DC
- Dielectric Strength : AC 500V for 1 minute
- Insulation : Class B Protection Grade IP 44
- Speed Control : 0-10V / PWM Motor current limit soft start
- Connection : Terminal PA - 10
- Motor Protection : Ultra Temperature Protection under Standard Speed
- Operating Temperature : - 20 to +80°C (Operating)
- 30 to +90°C (Storage)
- Net Weight : 2900 Grams (2.9 Kg)

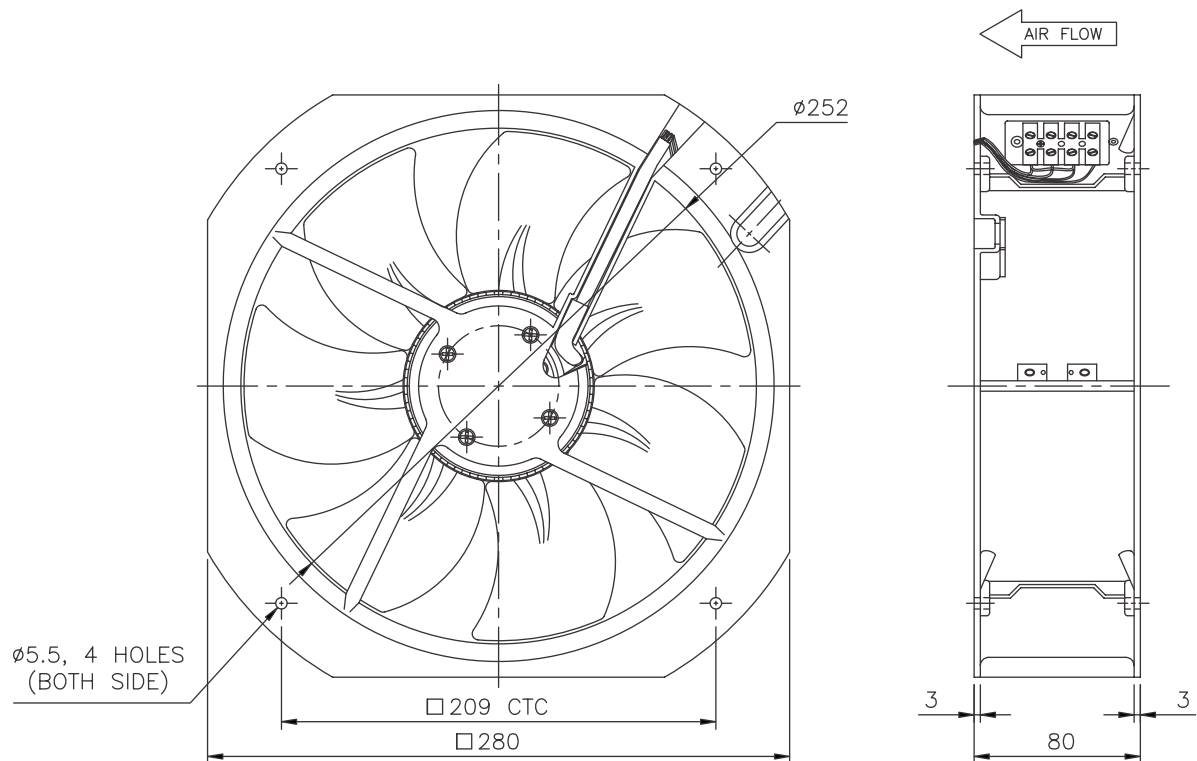


Diagram



Specification

| Model | Part Code | Bearing | Voltage | Current | Input Power | Speed | Air Flow | Static Pressure | Noise | Box Packing |
|----------------|-----------|---------|---------|---------|-------------|-------|----------|---------------------|-------|-------------|
| REC | | | V | A | W | RPM | CFM | mm H ₂ O | dB(A) | Nos. |
| 28080 B48 - MB | DC251 | Ball | 48 | 1.85 | 89 | 2650 | 1200 | 30.6 | 69 | 5 |



* Specifications Subject to Change Without Notice