

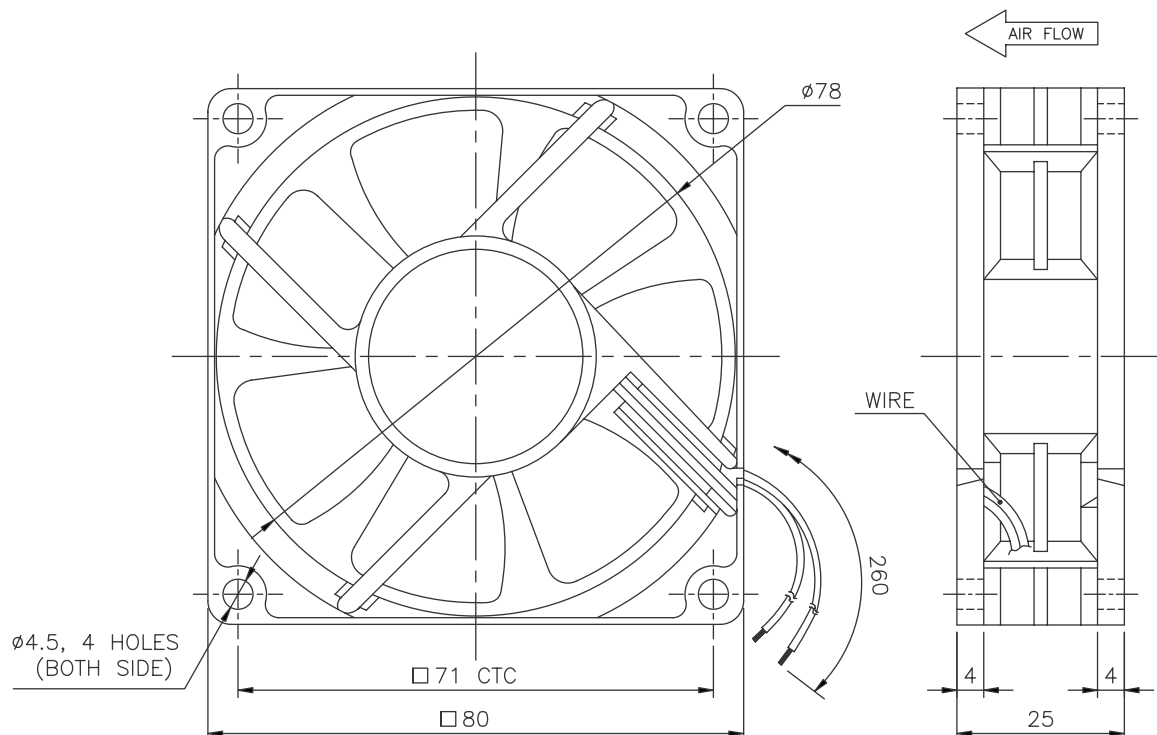
**80 x 80 x 25 mm**

- Motor Design : DC Brushless Motor
- Housing : Thermoplastic PBT (UL 94V-0)
- Impellor : Thermoplastic PBT (UL 94V-0)
- Bearing : Sleeve or Ball
- Motor Protection : Reverse Polarity Protected & Locked Rotor
- Operating Temperature : - 10 to + 70°C
- Net Weight : 70 Grams



**Specification**

Model	Part Code	Bearing	Voltage	Current	Input Power	Speed	Air Flow	Static Pressure	Noise
REC			V	A	W	RPM	CFM	mm H <sub>2</sub> O	dB(A)
8025 A12 W	DC081	Sleeve	12	0.13	1.6	2750	35	3.5	30
8025 B12 W	DC083	Ball	12	0.13	1.6	2850	35	3.5	30
8025 A24 W	DC082	Sleeve	24	0.09	2.2	2800	35	3.5	30
8025 B24 W	DC085	Ball	24	0.08	1.9	3000	35	3.5	30



\* Specifications Subject to Change Without Notice