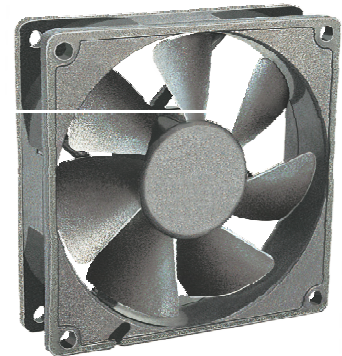


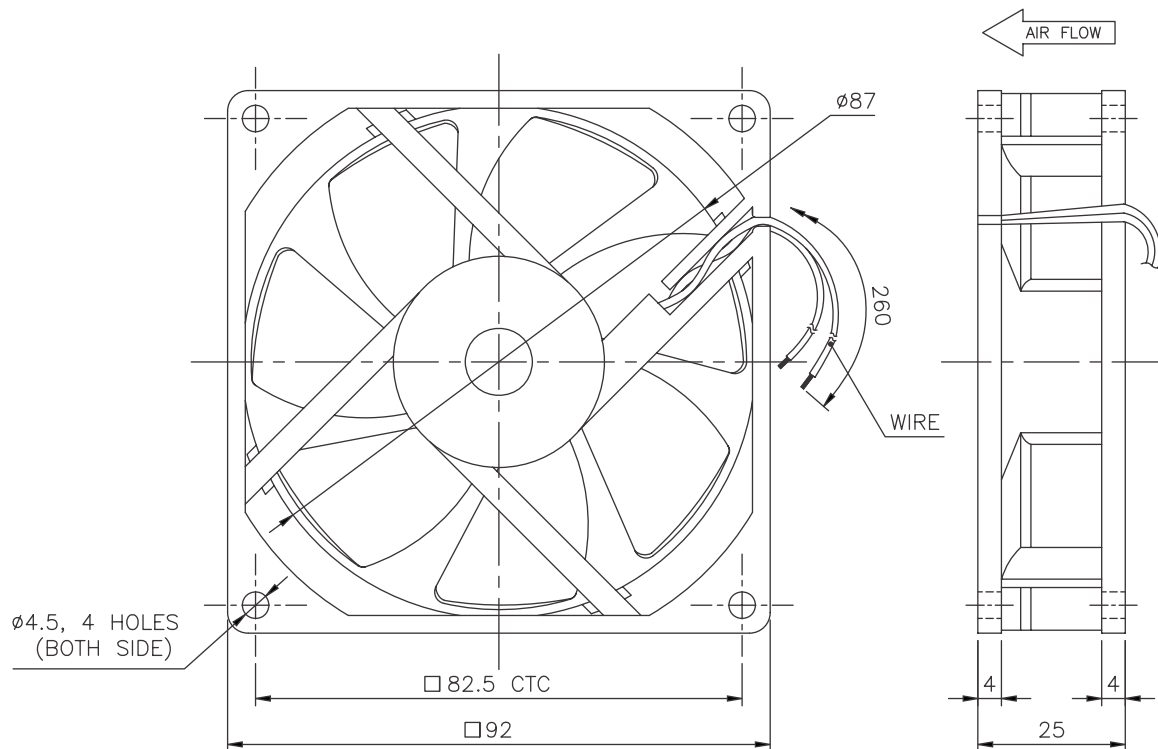
92 x 92 x 25 mm

- Motor Design : DC Brushless Motor
- Housing : Thermoplastic PBT (UL 94V-0)
- Impellor : Thermoplastic PBT (UL 94V-0)
- Bearing : Sleeve or Ball
- Motor Protection : Reverse Polarity Protected & Locked Rotor
- Operating Temperature : - 10 to + 70°C
- Net Weight : 100 Grams



Specification

Model	Part Code	Bearing	Voltage	Current	Input Power	Speed	Air Flow	Static Pressure	Noise	Box Packing
REC			V	A	W	RPM	CFM	mm H ₂ O	dB(A)	Nos.
9225 A12 W	DC111	Sleeve	12	0.14	1.7	2350	46	3.5	29	10
9225 A24 W	DC112	Sleeve	24	0.10	2.4	2500	46	3.5	29	10



* Specifications Subject to Change Without Notice