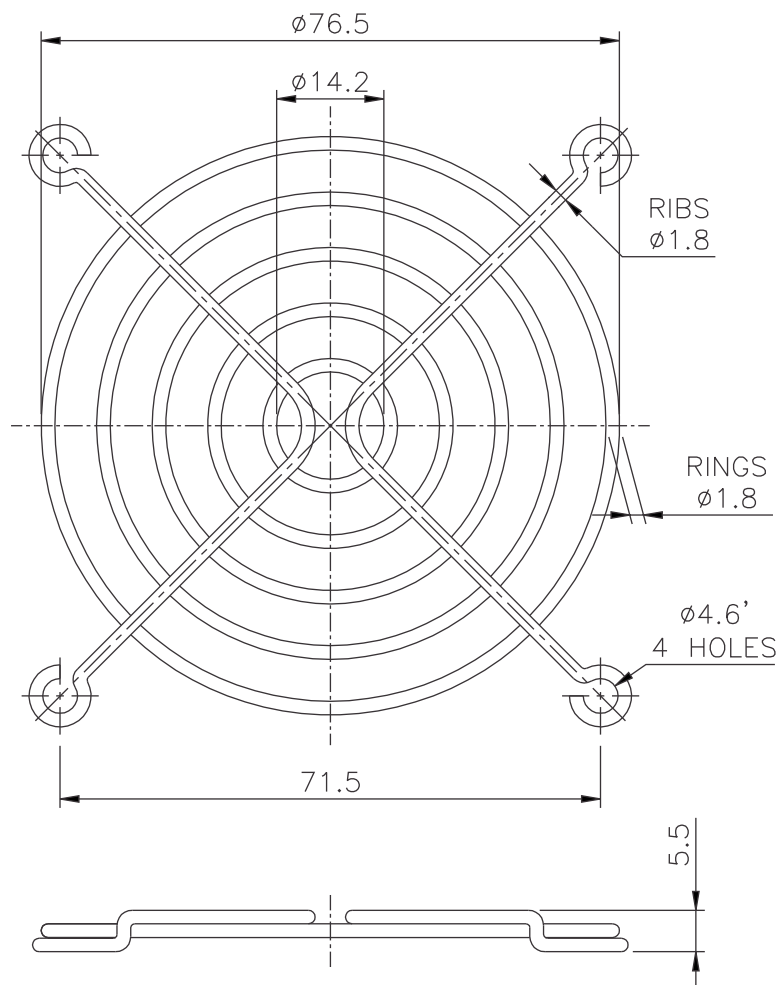


Metal Finger Guard

Part No. : MG014
Fan Model No. : 8025
Fan Dimensions : 80 x 80 x 25 mm
Metal Guard : Chrome Plating



*** ALL DIMENSIONS ARE IN MM**



* Specifications Subject to Change Without Notice