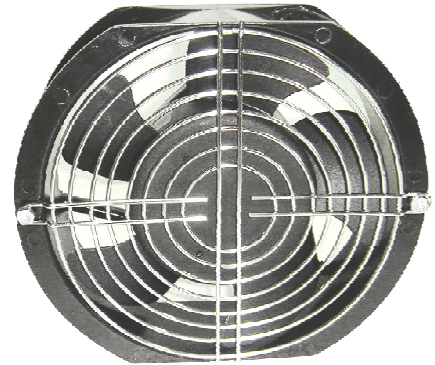
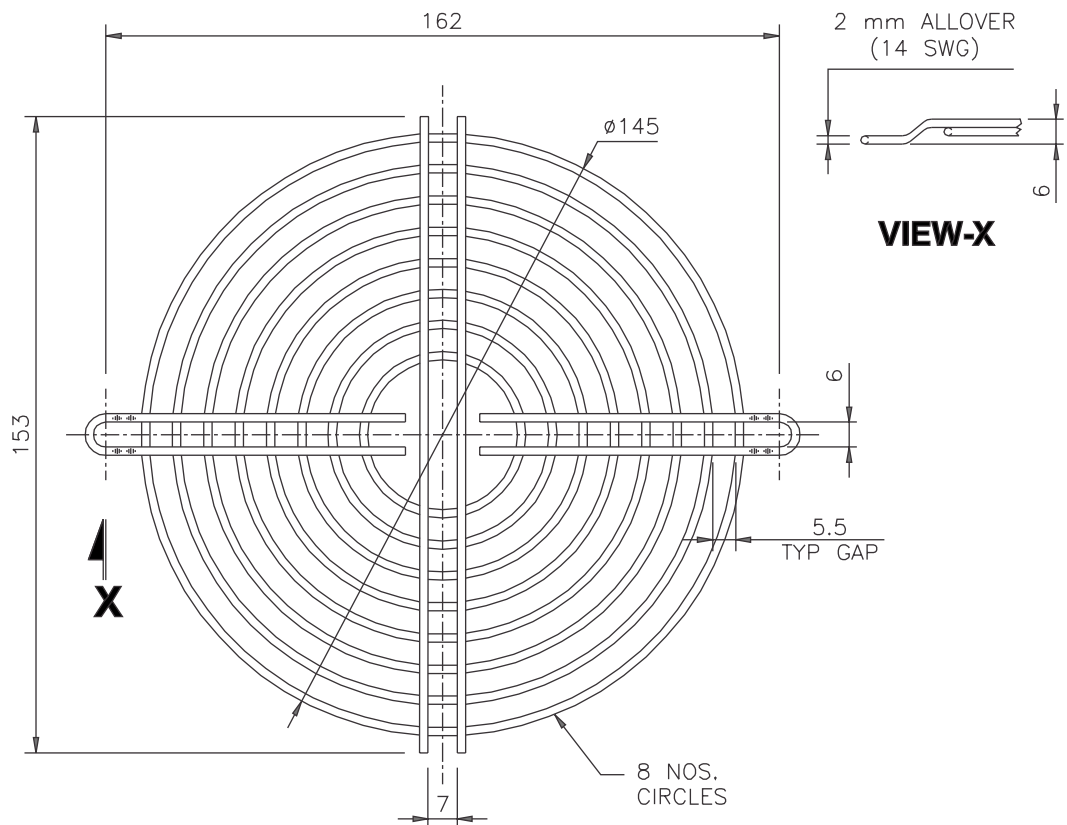


## Metal Finger Guard

Part No. : MG017  
Fan Model No. : 17251 & 21725  
Fan Dimensions : Ø 172 x 150 x 51 mm  
Metal Guard : Chrome Plating



**\* ALL DIMENSIONS ARE IN MM**



\* Specifications Subject to Change Without Notice