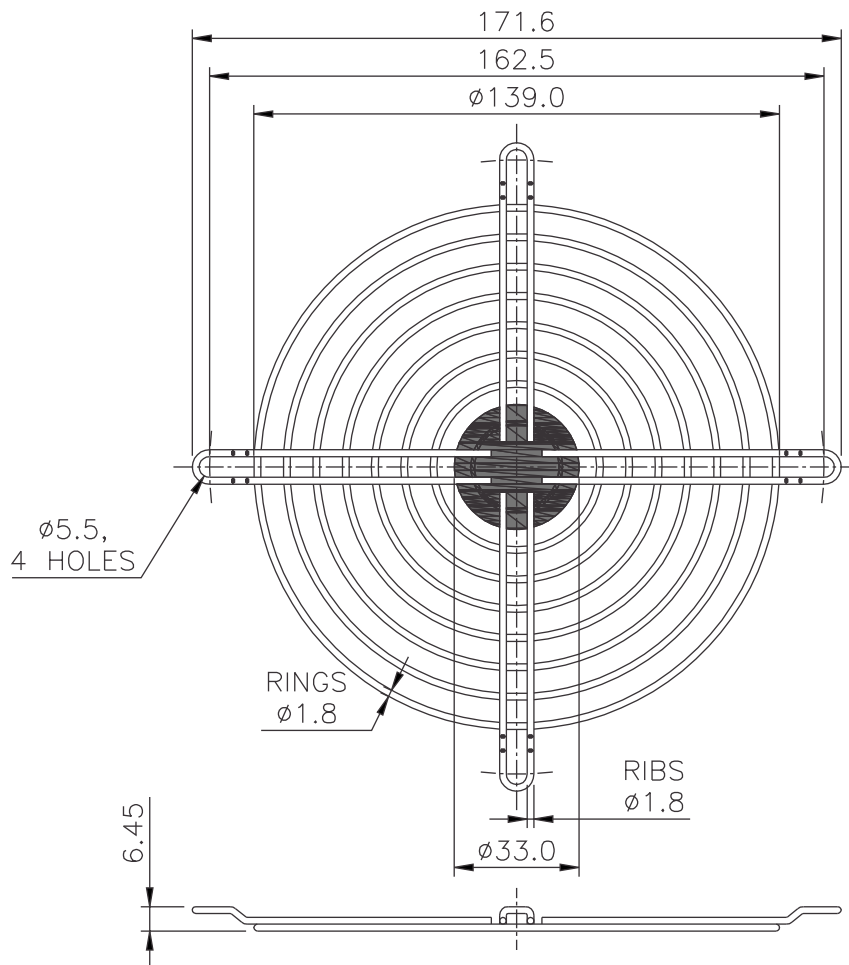


Metal Finger Guard

Part No. : MG019
Fan Model No. : 17251 & 21725
Fan Dimensions : Ø 172 x 150 x 51 mm
Metal Guard : Chrome Plating
4 Mounting Leg



*** ALL DIMENSIONS ARE IN MM**



* Specifications Subject to Change Without Notice