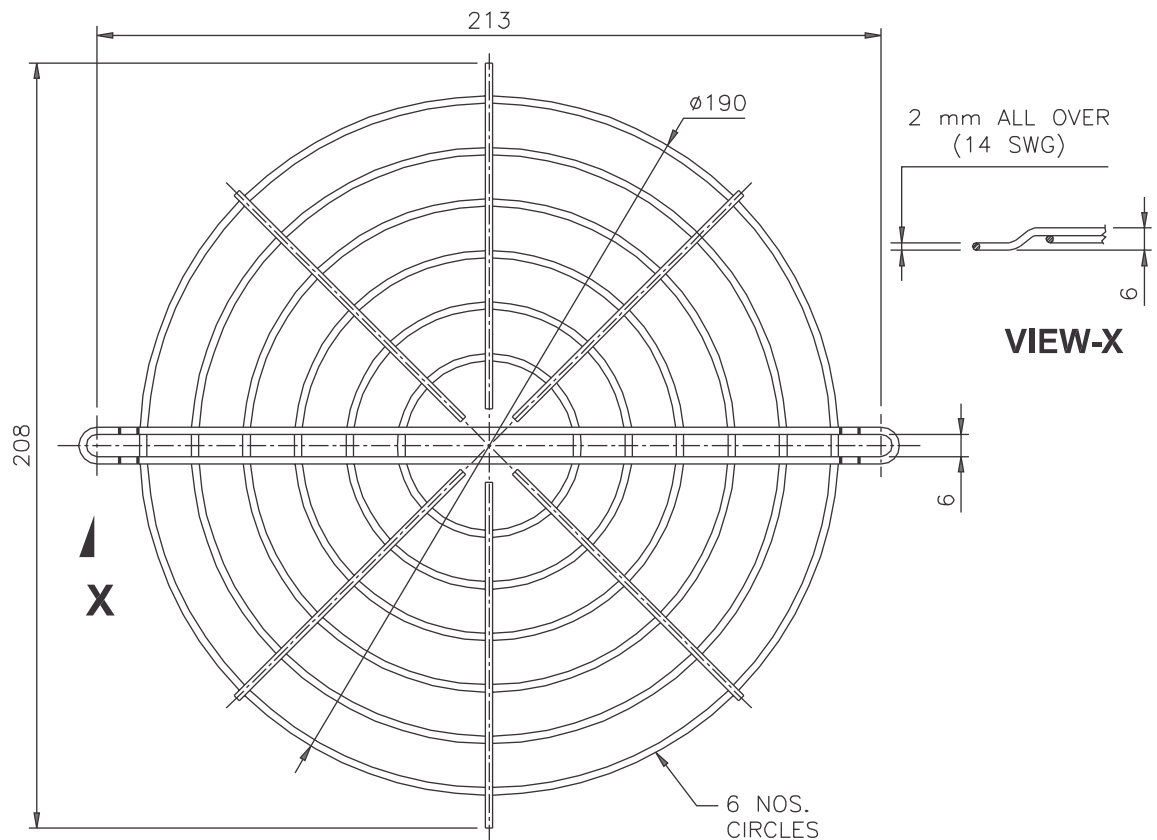


## Metal Finger Guard

Part No. : MG021  
Fan Model No. : 22060 R  
Fan Dimensions : Ø 220 x 60 mm  
Metal Guard : Chrome Plating



**\* ALL DIMENSIONS ARE IN MM**



\* Specifications Subject to Change Without Notice