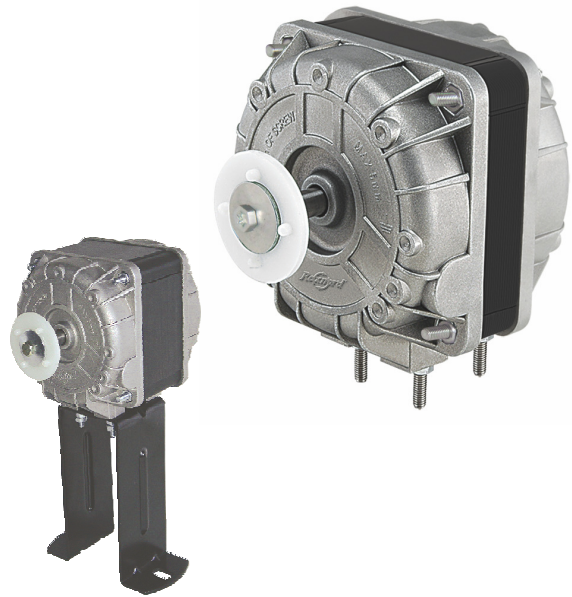


83 x 83 x 30 mm

- Motor Design : Shaded Pole Motor
- Housing : Aluminium Die-cast
- Bearing : Sleeve Bearing
- Operating Voltage : 230V (185 - 245 VAC)
- Dielectric Strength : AC 1500V for 1 minute
- Insulation : Class B
- Insulation Resistance : Above 100M Ohms at 500 VDC
- Connection : Lead Wire
- * **Feature** : Mounting 4 Legs
- Motor Protection : Thermal Protected
- Direction of Rotation : CCW
- Operating Temperature : - 40 to + 40°C
- Net Weight : 1570 Grams

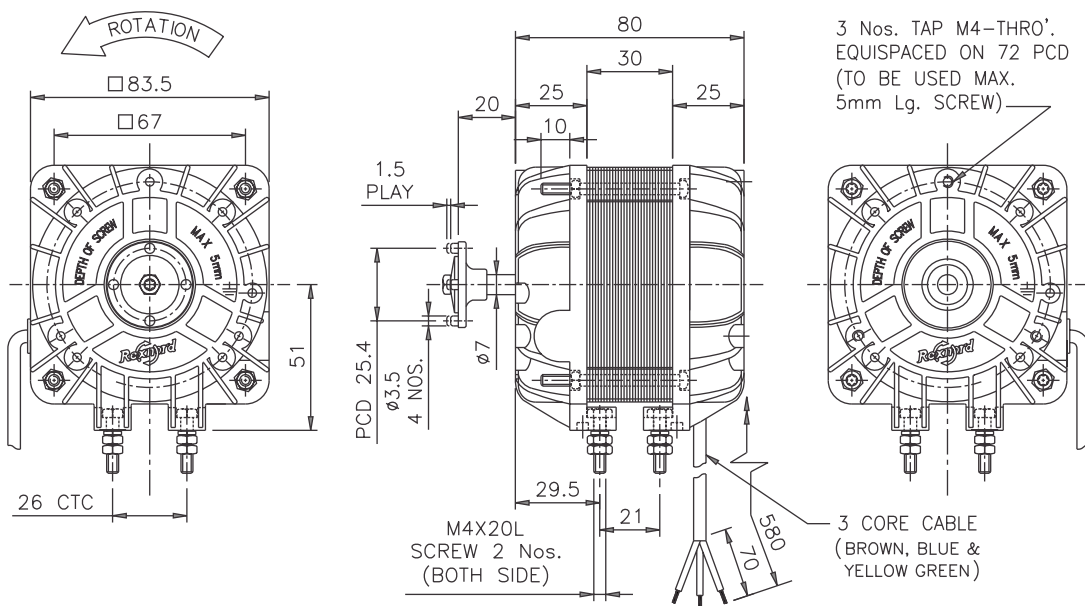


Specification

Model	Part Code	Bearing	Voltage	Frequency	Current	Input Power	Output Power	Speed	Box Packing
REC			V	Hz	A	W	W	RPM	Nos.
8330 - 18 A2	QM080	Sleeve	230	50	0.36	37	18	1450	10
Metal Stand 110 mm	MS015	-	-	-	-	-	-	-	-

Note : 18 = 18W A = Sleeve Bearing 2 = 230 Volt

Metal Stand 4 Hole Mounting



* Specifications Subject to Change Without Notice