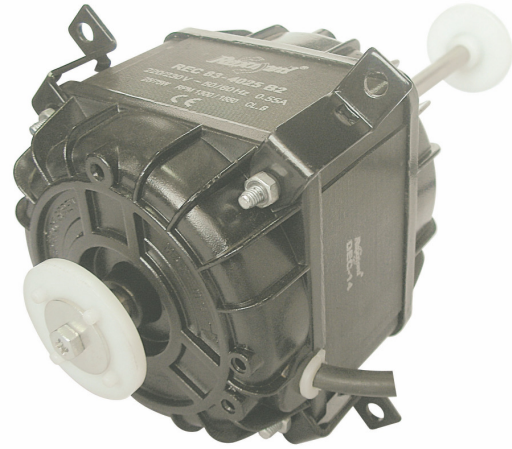


83 x 83 x 40 mm

- Motor Design : Shaded Pole Motor
- Housing : Aluminium Die-cast
- Bearing : Ball Bearing
- Operating Voltage : 230V (185 - 245 VAC)
- Dielectric Strength : AC 1500V for 1 minute
- Insulation : Class B
- Insulation Resistance : Above 100M Ohms at 500 VDC
- Connection : Lead Wire
- * **Feature** : Mounting 4 Clamps & Double Shaft
- Motor Protection : Thermal Protected
- Direction of Rotation : CCW
- Operating Temperature : - 40 to + 40°C
- Net Weight : 2100 Grams



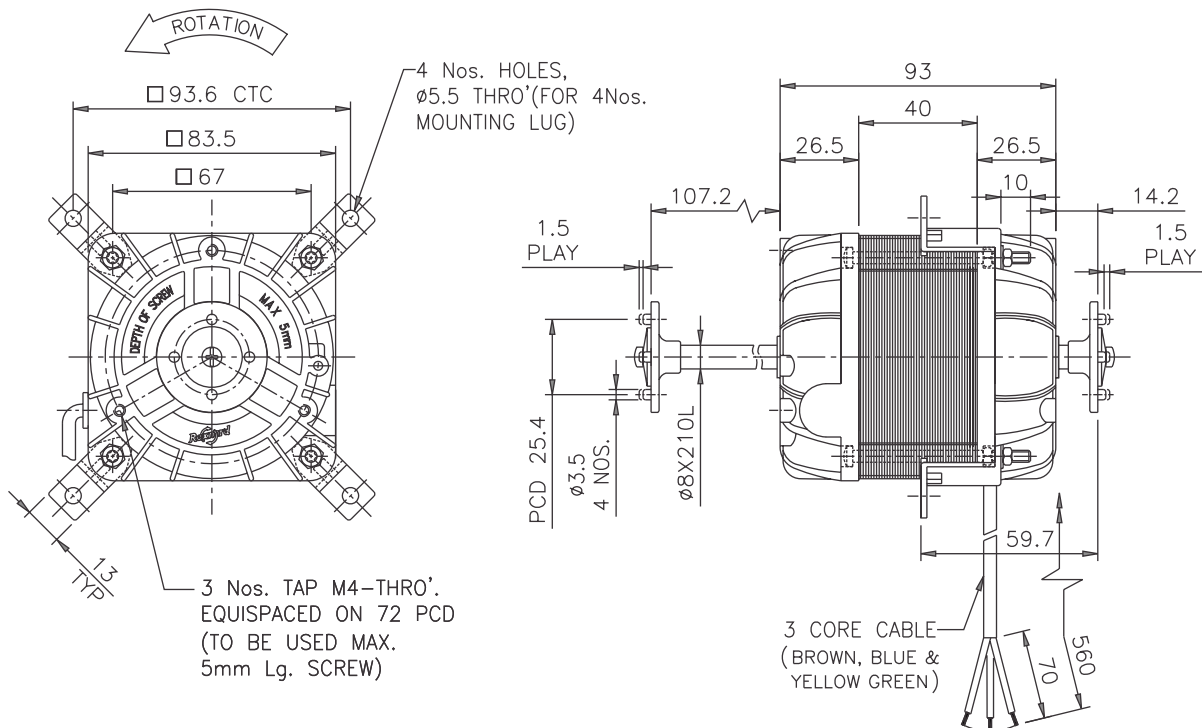
Double Shaft Motor

Specification

Model	Part Code	Bearing	Voltage	Frequency	Current	Input Power	Output Power	Speed	Box Packing
REC			V	Hz	A	W	W	RPM	Nos.
8340 - 25 B2	QM103	Sleeve	230	50	0.43	45	25	1450	10

Note : 25 = 25W B = Ball Bearing 2 = 230 Volt 02 = Double Shaft Motor

Mounted Impellor with Ø 200 mm on Front Side & Ø 230 mm on Rare Side of Motor



* Specifications Subject to Change Without Notice