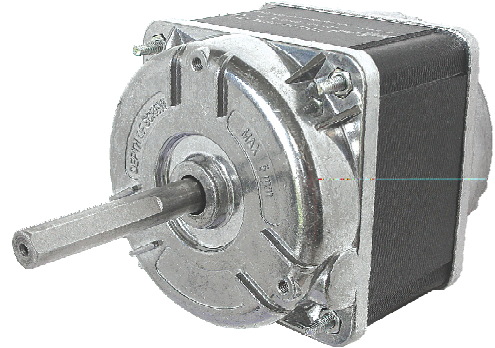


83 x 83 x 45 mm

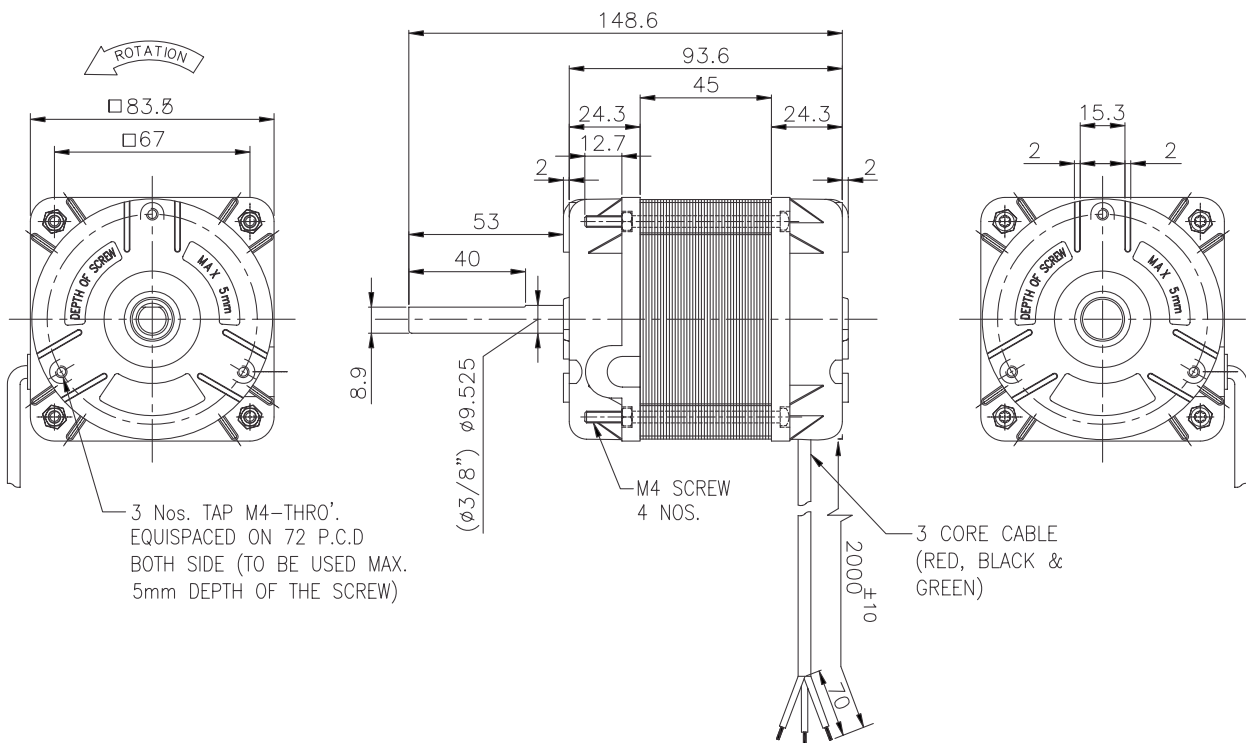
- Motor Design : Shaded Pole Motor
- Housing : Aluminium Die-cast
- Bearing : Ball Bearing
- Operating Voltage : 230V (185 - 245 VAC)
- Dielectric Strength : AC 1500V for 1 minute
- Insulation : Class B
- Insulation Resistance : Above 100M Ohms at 500 VDC
- Connection : Lead Wire
- Motor Protection : Thermal Protected
- Direction of Rotation : CCW
- Operating Temperature : - 40 to + 40°C
- Net Weight : 2200 Grams



Specification

Model	Code No.	Voltage	Frequency	Current	Input Power	Output Power	Speed	Box Packing
REC		V	Hz	A	W	W	RPM	Nos.
8345 - 34 B2	QM131	230	50	0.60	56	34	1450	8

Note : B = Ball Bearing 2 = 230 Volt



* Specifications Subject to Change Without Notice