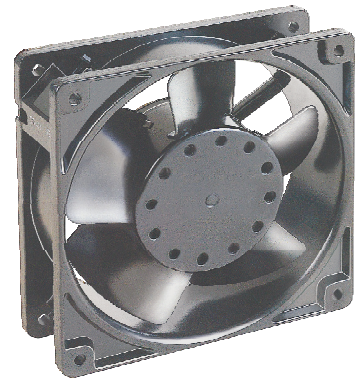


120 x 120 x 38 mm

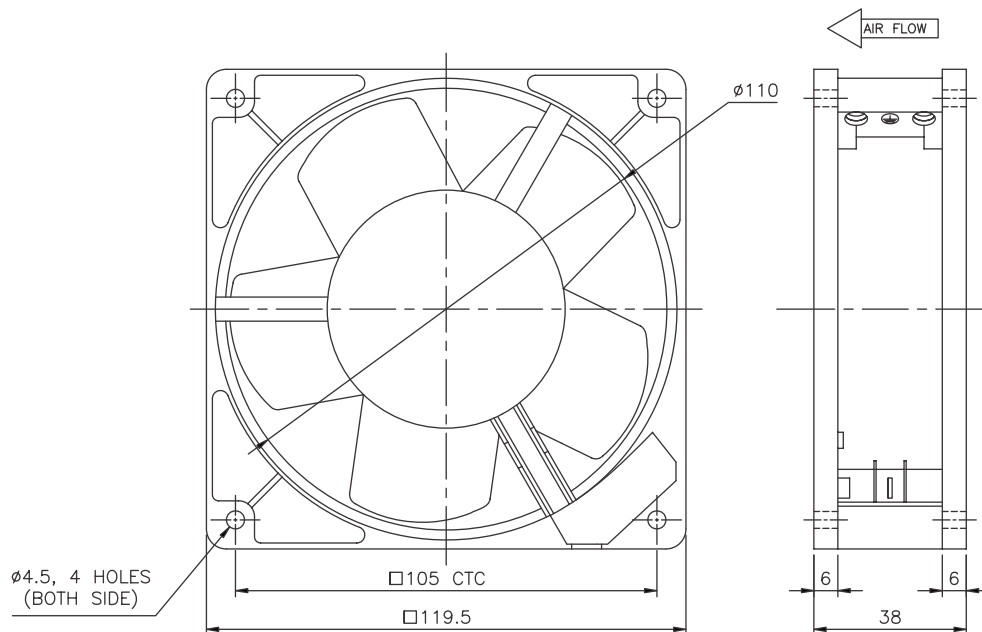
- Motor Design : Shaded Pole (External Rotor)
- Housing : Aluminium Die-cast
- Impellor : Metal
- Bearing : Ball Bearing
- Operating Voltage : 230V (185 - 245 VAC)
- Dielectric Strength : AC 1500V for 1 minute
- Insulation : Class B
- Insulation Resistance : Above 100M Ohms at 500 VDC
- Connection : Terminal
- Motor Protection : Impedance Protected
- Operating Temperature : - 20 to +70°C
- Net Weight : 530 Grams



Specification

Model No.	Code No.	Bearing	Voltage	Frequency	Current	Input Power	Speed	Air Flow	Static Pressure	Noise	Box Packing
REC			V	Hz	A	W	RPM	CFM	mm H ₂ O	dB(A)	Nos.
12038 B2 T - MB	AC023	Ball	230	50	0.13	21	2650	106	7.6	41	40

Note : B = Ball Bearing 2 = 230 Volt T = Terminal MB = Metal Blade



* Specifications Subject to Change Without Notice