

172 x 150 x 55 mm

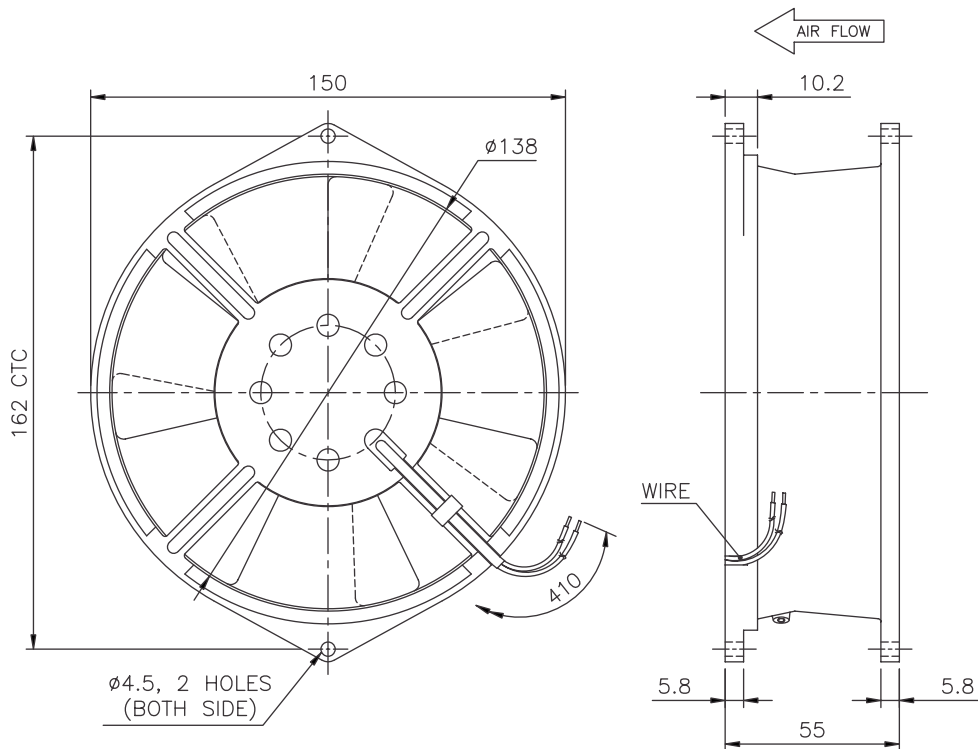
- Motor Design : Shaded Pole (External Rotor)
- Housing : Aluminium Die-cast
- Impellor : Metal
- Bearing : Ball Bearing
- Operating Voltage : 230V (185 - 245 VAC)
- Dielectric Strength : AC 1500V for 1 minute
- Insulation : Class B
- Insulation Resistance : Above 100M Ohms at 500 VDC
- Connection : Lead Wire
- Motor Protection : Impedance Protected
- Operating Temperature : - 20 to +70°C
- Net Weight : 1000 Grams



Specification

Model No.	Code No.	Bearing	Voltage	Frequency	Current	Input Power	Speed	Air Flow	Static Pressure	Noise	Box Packing
REC			V	Hz	A	W	RPM	CFM	mm H ₂ O	dB(A)	Nos.
15055 B2 - MB	AC095	Ball	230	50	0.28	39	2750	200	13	50	20

Note : B = Ball Bearing 2 = 230 Volt W = Lead Wire MB = Metal Blade



* Specifications Subject to Change Without Notice