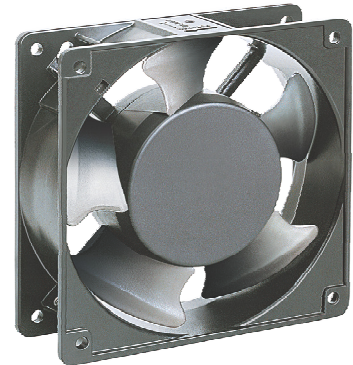


120 x 120 x 38 mm

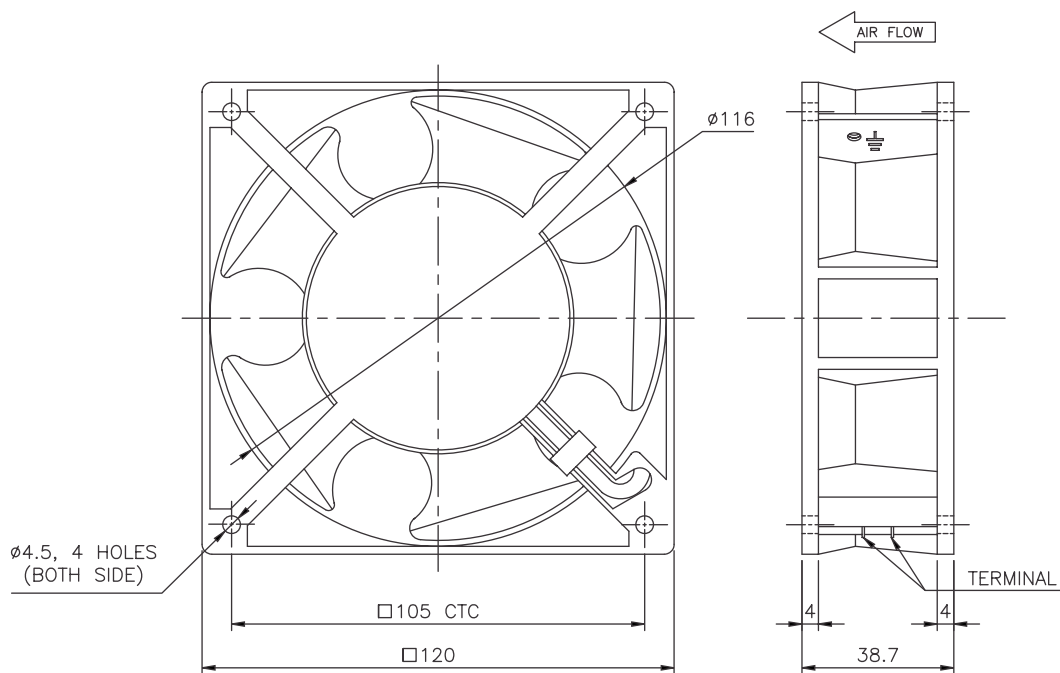
- Motor Design : Shaded Pole
- Housing : Aluminium Die - cast
- Impellor : PBT (Polybutylene Terephthalate)
- Bearing : Sleeve or Ball Bearing
- Operating Voltage : 115V (85 ~ 125 VAC)
230V (185 ~ 245 VAC)
- Dielectric Strength : AC 1500V for 1 minute
- Insulation : Class B
- Insulation Resistance : Above 100M Ohms at 500 VDC
- Connection : Terminal / Lead Wire
- Motor Protection : Impedance Protected
- Operating Temperature : - 10 to +70°C for Sleeve Bearing
- 20 to +70°C for Ball Bearing
- Net Weight : 510 Grams



Specification

Model No.	Code No.	Bearing	Voltage	Frequency	Current	Input Power	Speed	Air Flow	Static Pressure	Noise	Box Packing
REC			V	Hz	A	W	RPM	CFM	mm H ₂ O	dB(A)	Nos.
22038 A2 T	AC012	Sleeve	230	50	0.10	15	2600	85	5.4	43	40
22038 B2 T	AC016	Ball	230	50	0.10	15	2650	90	6.8	43	40
22038 A2 W	AC018	Sleeve	230	50	0.10	15	2600	85	5.4	43	40
22038 B2 W	AC017	Ball	230	50	0.10	15	2650	90	6.8	43	40

Note : A = Sleeve Bearing B = Ball Bearing 2 = 230 Volt T = Terminal W= Lead Wire Also Available in 115 VAC



* Specifications Subject to Change Without Notice