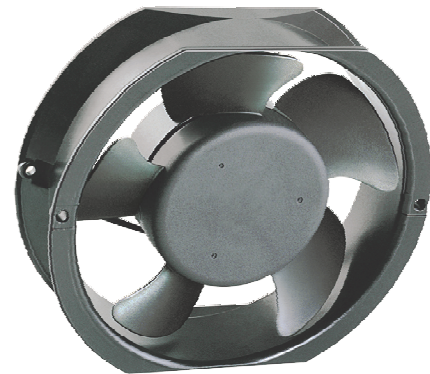


Ø 172 x 150 x 51 mm

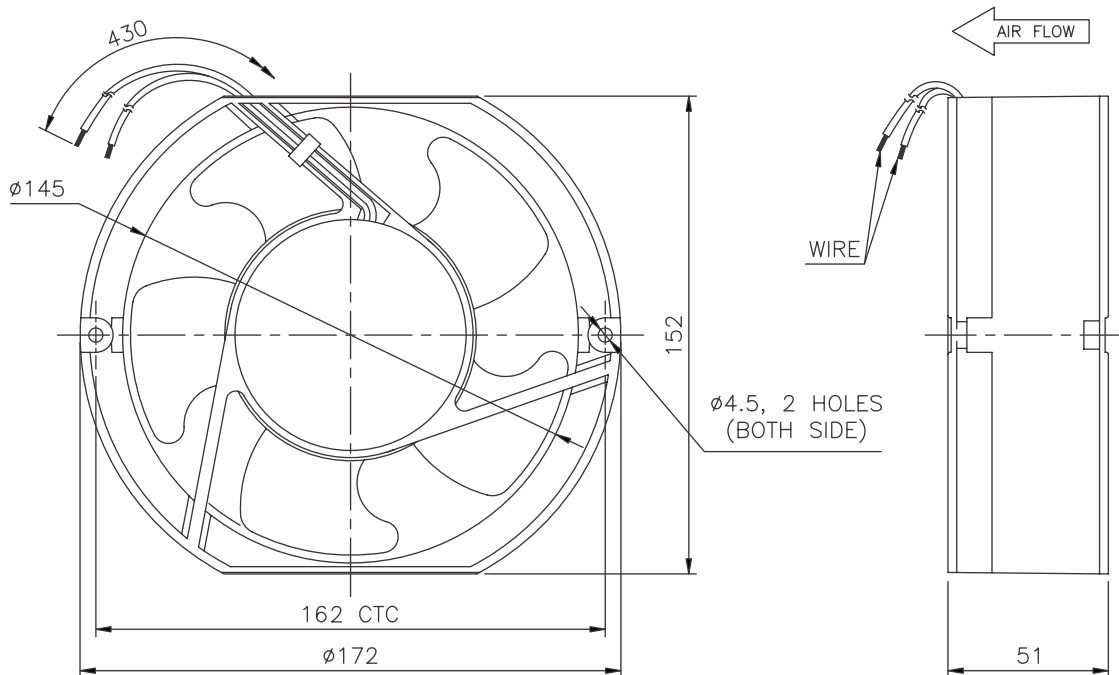
- Motor Design : Shaded Pole
- Housing : Aluminium Die - cast
- Impellor : Nylon 66
- Bearing : Sleeve or Ball Bearing
- Operating Voltage : 115V (85 ~ 125 VAC)
230V (185 ~ 245 VAC)
- Dielectric Strength : AC 1500V for 1 minute
- Insulation : Class B
- Insulation Resistance : Above 100M Ohms at 500 VDC
- Connection : Lead Wire
- Motor Protection : Impedance Protected
- Operating Temperature : - 10 to +70°C for Sleeve Bearing
- 20 to +70°C for Ball Bearing
- Net Weight : 850 Grams



Specification

| Model No. | Code No. | Bearing | Voltage | Frequency | Current | Input Power | Speed | Air Flow | Static Pressure | Noise | Box Packing |
|------------|----------|---------|---------|-----------|---------|-------------|-------|----------|---------------------|-------|-------------|
| REC | | | V | Hz | A | W | RPM | CFM | mm H ₂ O | dB(A) | Nos. |
| 21725 A2 W | AC067 | Sleeve | 230 | 50 | 0.19 | 27 | 2500 | 180 | 12.2 | 52 | 20 |
| 21725 B2 W | AC068 | Ball | 230 | 50 | 0.19 | 26 | 2550 | 190 | 12.2 | 52 | 20 |

Note : A = Sleeve Bearing B = Ball Bearing 1 = 115 Volt 2 = 230 Volt W = Lead Wire



* Specifications Subject to Change Without Notice