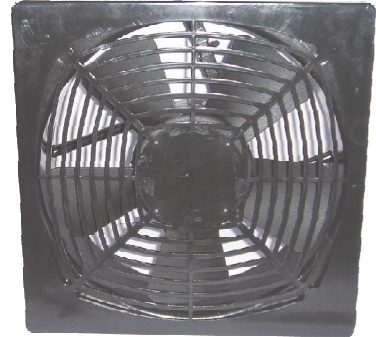
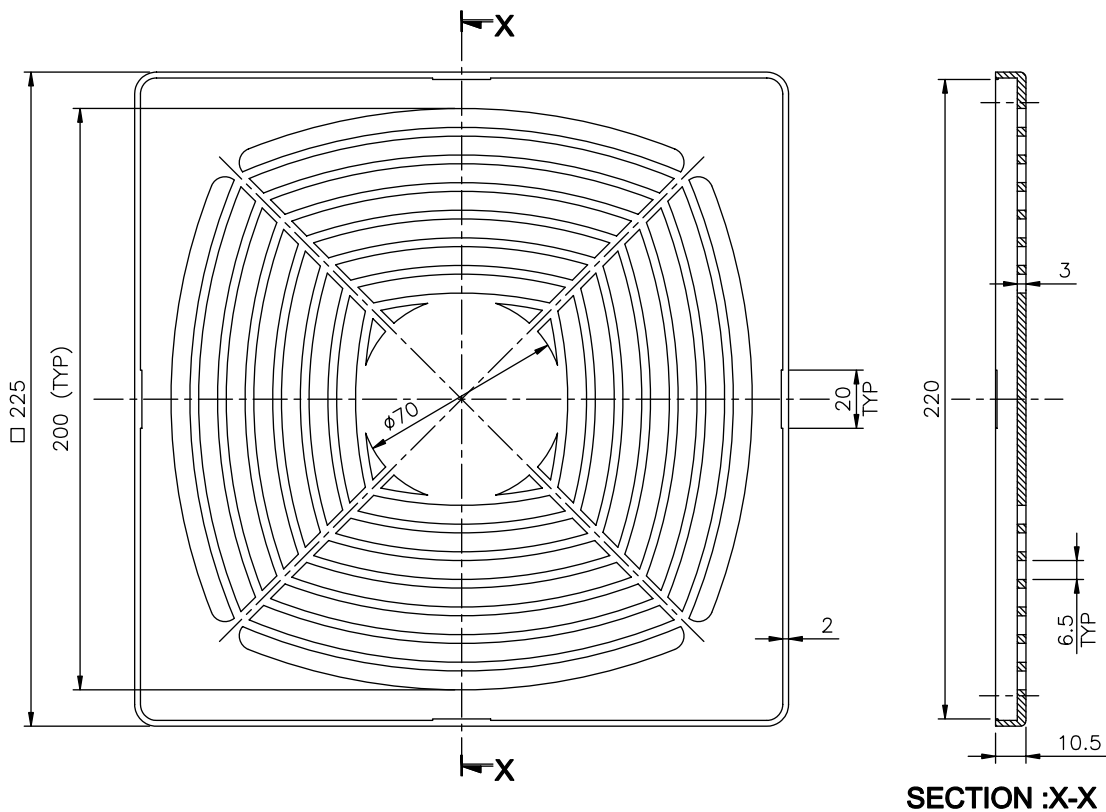


## Plastic Finger Guard

Part No. : PG 007  
Fan Model No. : 22060 S  
Fan Dimensions : 220 x 220 x 60 mm



**\* ALL DIMENSIONS ARE IN MM**



\* Specifications Subject to Change Without Notice