

Plastic Finger Guard

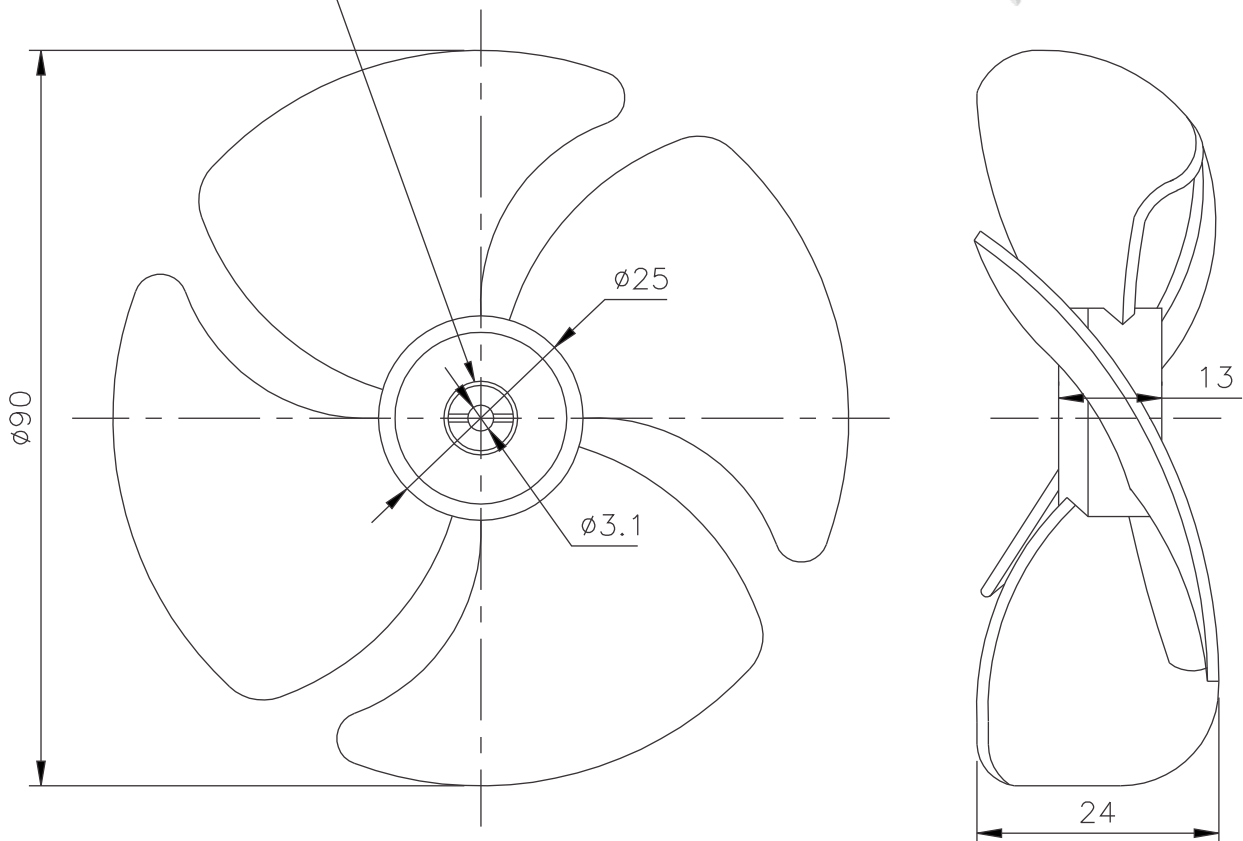
Ø 90 mm

Drawing : Plastic Impeller
Material : ABS
Part No. : PI006
Rotation : CW
Air Delivery : Throw



* ALL DIMENSIONS ARE IN MM

SPRING
(CLOSED COIL)



* Specifications Subject to Change Without Notice