

83 x 83 x 20 mm

Motor Design : Shaded Pole Motor (4 Pole)
 Housing : Aluminium Die-cast
 Bearing : Sleeve Bearing (Self Lubricating)
 Operating Voltage : 230V (185 - 245 VAC)
 Dielectric Strength : AC 1500V for 1 minute
 Insulation : Class B
 Insulation Resistance : Above 100M Ohms at 500 VDC
 Connection : Lead Wire
 Motor Protection : Impedance Protected
 Direction of Rotation : CCW
 Operating Temperature : - 40 to + 40°C
 Net Weight : 1080 Grams (1.08 Kg)

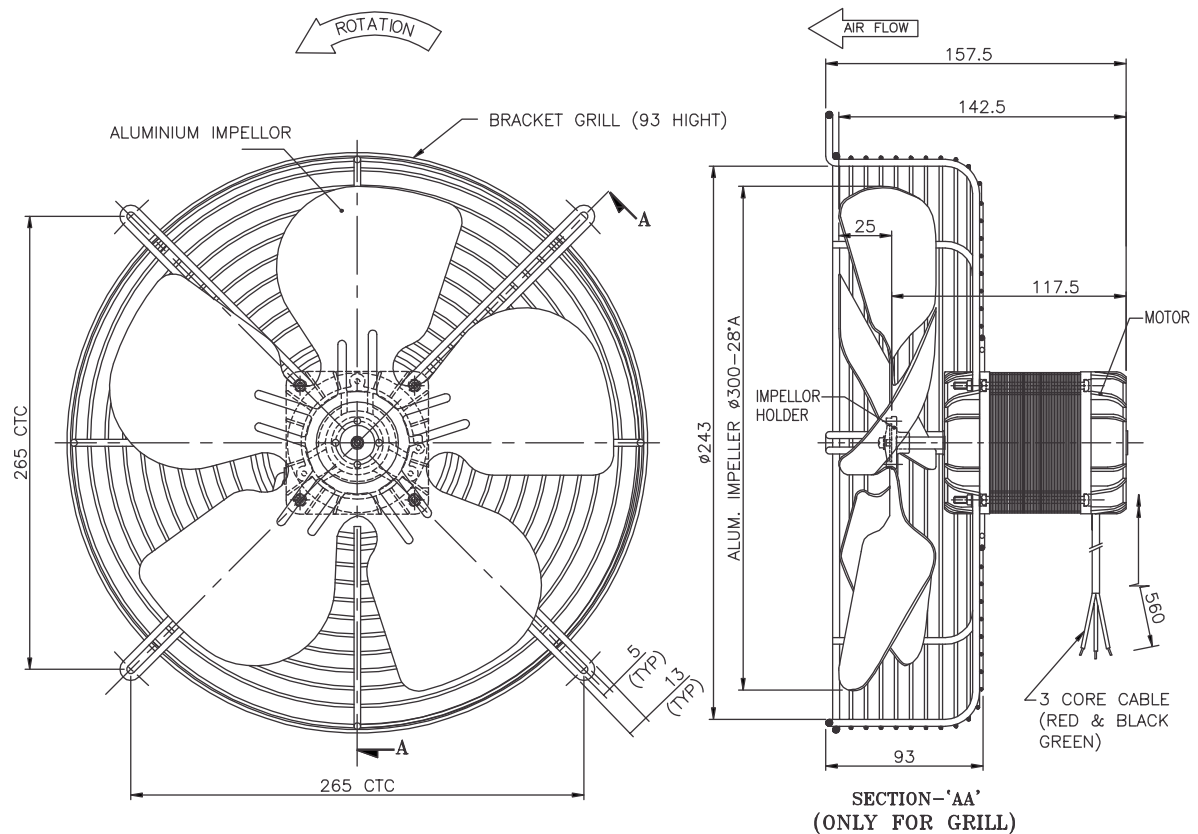
Basket Grill (ID Ø 324 X Deep 93 mm)



Specification

Model	Part Code	Air Direction	Bearing	Voltage	Frequency	Current	Input Power	Output Power	Speed
REC				V	Hz	A	W	W	RPM
8320 - 10 A2 + Alu Impeller Ø 254 V + Basket Grill 93 mm (Deep)	QM058	Suction	Sleeve	230	50	0.22	27	10	1450

Note : Suction & Throw Both Type of Impeller Available



* Specifications Subject to Change Without Notice