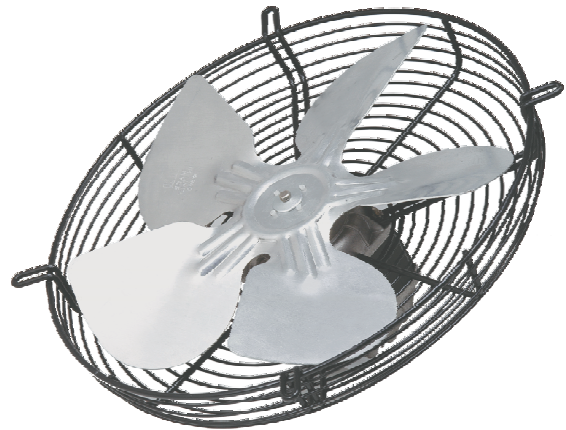


83 x 83 x 40 mm

Motor Design : Shaded Pole Motor
 Housing : Aluminium Die-cast
 Bearing : Sleeve Bearing
 Operating Voltage : 230V (185 - 245 VAC)
 Dielectric Strength : AC 1500V for 1 minute
 Insulation : Class B
 Insulation Resistance : Above 100M Ohms at 500 VDC
 Motor Protection : Thermal Protected
 Direction of Rotation : CCW
 Operating Temperature : - 40 to + 40°C
 Net Weight : 2780 Grams

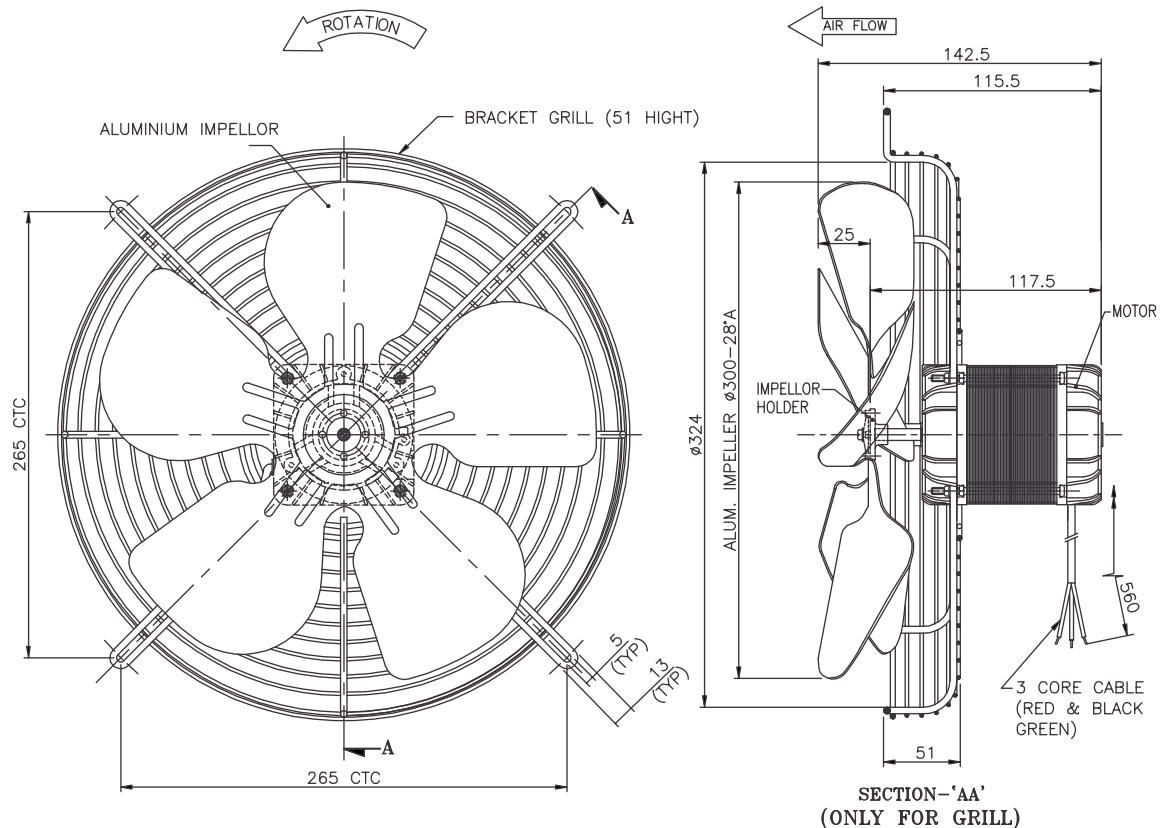
Basket Grill (ID Ø 324 X Deep 51 mm)



Specification

| Model | Part Code | Air Direction | Bearing | Voltage | Frequency | Current | Input Power | Output Power | Speed |
|---|-----------|---------------|---------|---------|-----------|---------|-------------|--------------|-------|
| REC | | | | V | Hz | A | W | W | RPM |
| 8340 - 25 A2 + Alu Impeller Ø 300 V + Basket Grill 51 mm (Deep) | QM108 | Suction | Sleeve | 230 | 50 | 0.42 | 43 | 25 | 1450 |

Note : Suction & Throw Both Type of Impeller Available



* Specifications Subject to Change Without Notice