

83 x 83 x 40 mm

- Motor Design : Shaded Pole Motor
- Housing : Aluminium Die-cast
- Bearing : Sleeve Bearing
- Operating Voltage : 230V (185 - 245 VAC)
- Dielectric Strength : AC 1500V for 1 minute
- Insulation : Class B
- Insulation Resistance : Above 100M Ohms at 500 VDC
- Motor Protection : Thermal Protected
- Direction of Rotation : CCW
- Operating Temperature : - 40 to + 40°C
- Net Weight : 2780 Grams

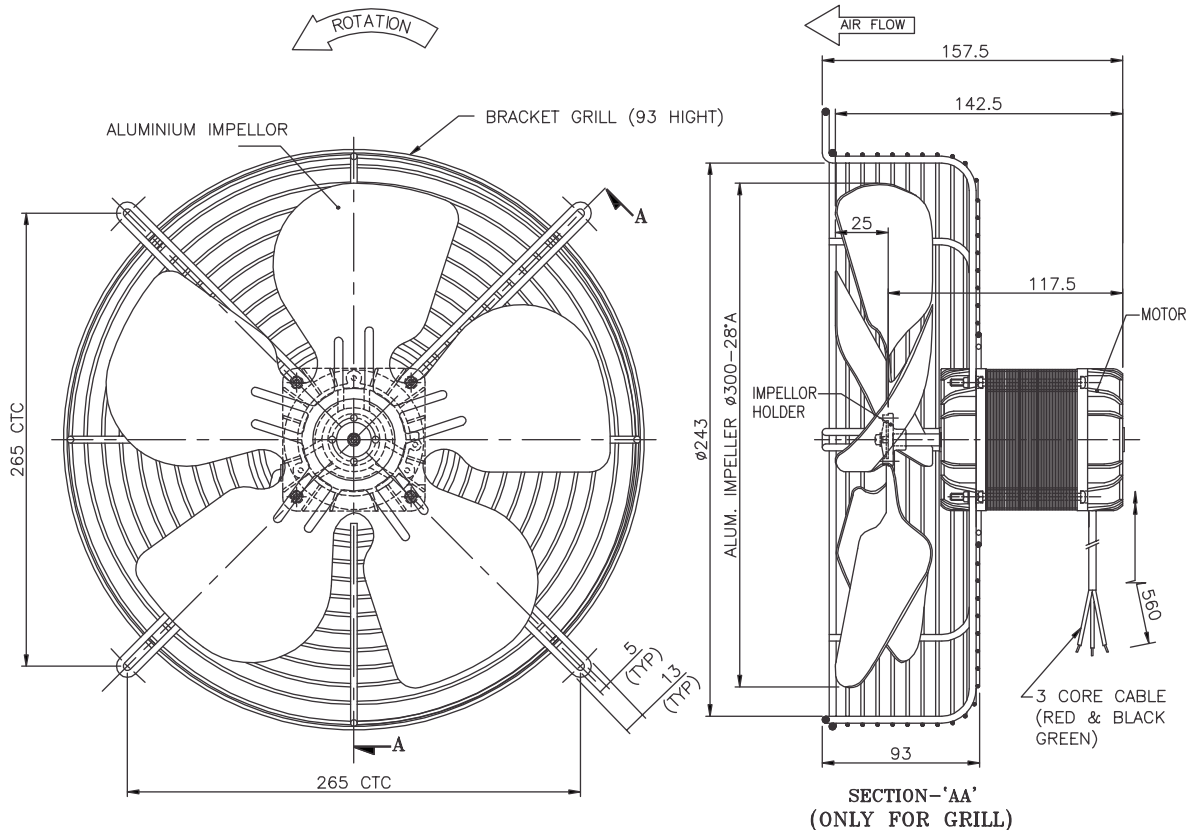
Basket Grill (ID Ø 324 X Deep 93 mm)



Specification

Model	Part Code	Air Direction	Bearing	Voltage	Frequency	Current	Input Power	Output Power	Speed
REC				V	Hz	A	W	W	RPM
8340 - 25 A2 + Alu Impeller Ø 300 A + Basket Grill 93 mm (Deep)	QM111	Throw	Sleeve	230	50	0.42	43	25	1450

Note : Suction & Throw Both Type of Impeller Available



* Specifications Subject to Change Without Notice