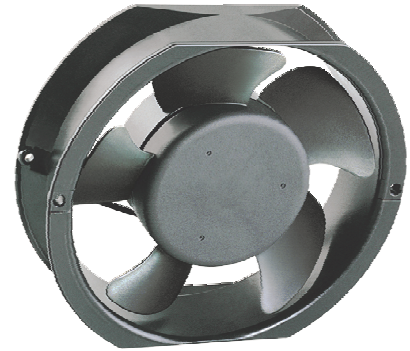




EC Axial Fans

- Motor Design : EC Technology
- Housing : Aluminium Die-cast
- Impellor : Nylon 66
- Bearing : Sleeve or Ball Bearing
- Operating Voltage : 230V (185 - 245 VAC)
- Dielectric Strength : AC 500V for 1 minute
- Insulation : Class B
- Insulation Resistance : Above 10M Ohms at 500 VDC
- Connection : Lead Wire
- Motor Protection : Via Electronics
- Operating Temperature : - 10 to +70°C for Sleeve Bearing
- 20 to +70°C for Ball Bearing
- Net Weight : 675 Grams

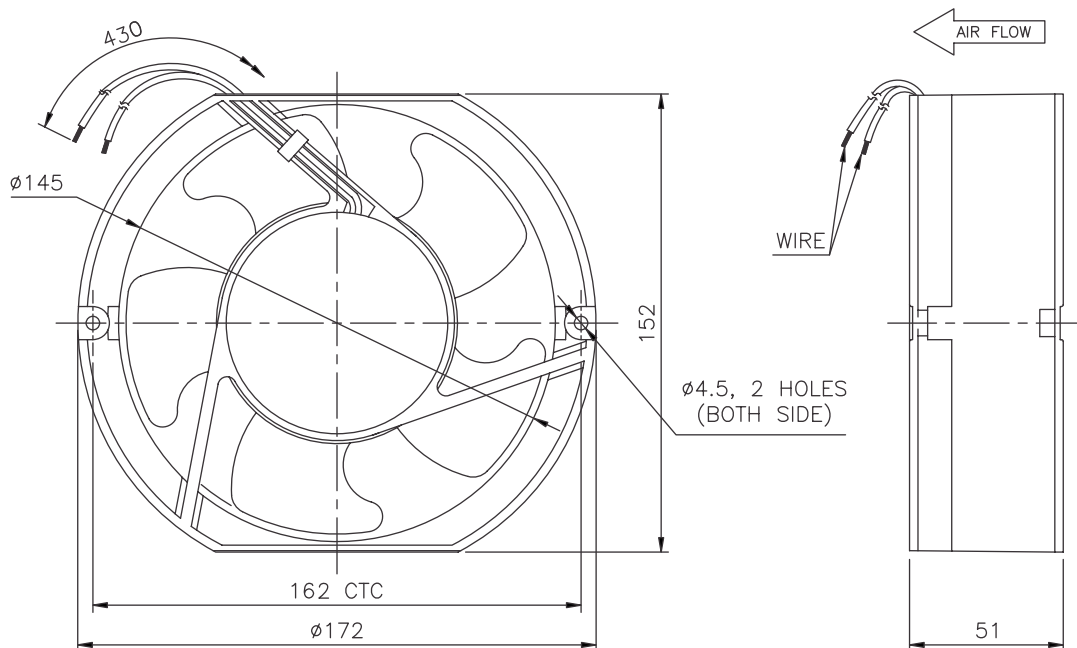
Ø 172 x 150 x 51 mm



Specification

Model No.	Code No.	Bearing	Voltage	Frequency	Current	Input Power	Speed ±5 %	Air Flow	Static Pressure	Noise	Box Packing
EC			V	Hz	A	W	RPM	CFM	mm H ₂ O	dB(A)	Nos.
EC - 17251 A2 W	EC041	Sleeve	230	50	0.11	13	2900	215	13	55	20
EC - 17251 B2 W	EC042	Ball	230	50	0.11	13	3000	222	13	57	

Note : A = Sleeve Bearing B = Ball Bearing 2 = 230 Volt W = Lead Wire



* Specifications Subject to Change Without Notice