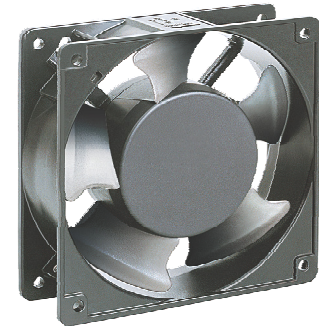




## EC Axial Fans

- Motor Design : EC Technology
- Housing : Aluminium Die - cast
- Impeller : PBT (Polybutylene Terephthalate)
- Bearing : Sleeve or Ball Bearing
- Operating Voltage : 230V (185 - 245 VAC)
- Dielectric Strength : AC 500V for 1 minute
- Insulation : Class B
- Insulation Resistance : Above 10M Ohms at 500 VDC
- Connection : Terminal / Lead Wire
- Motor Protection : Via Electronics
- Operating Temperature : - 10 to +70°C for Sleeve Bearing  
- 20 to +70°C for Ball Bearing
- Net Weight : 310 Grams (Aluminium Housing)  
245 Grams (Plastic Housing)

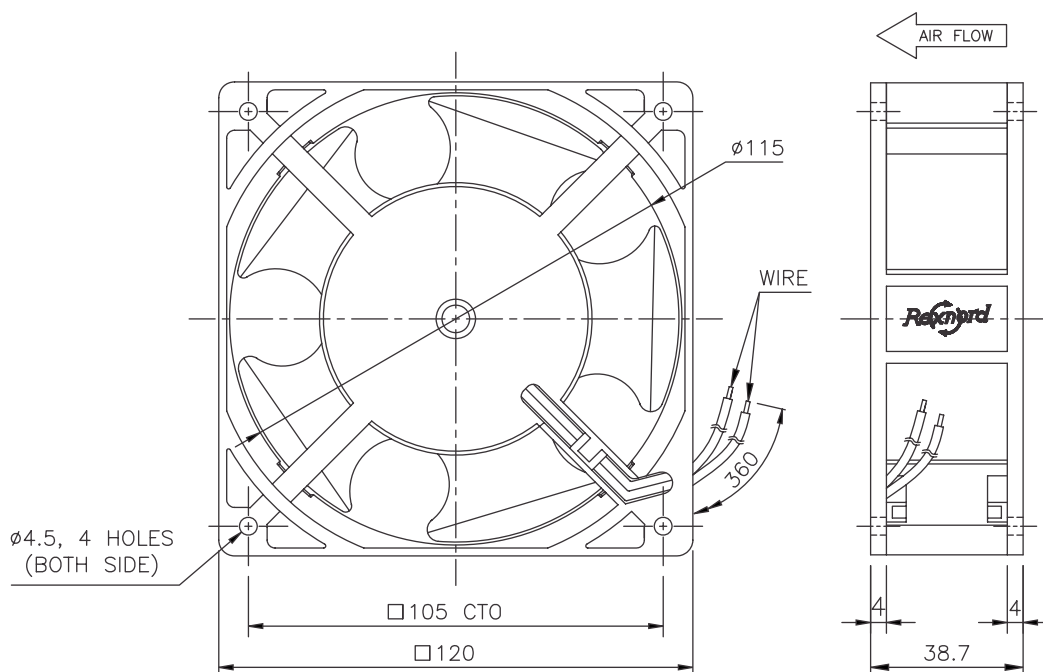
**120 x 120 x 38 mm**



### Specification

Model No.	Code No.	Bearing	Voltage	Frequency	Current	Input Power	Speed ±5 %	Air Flow	Static Pressure	Noise	Box Packing
EC			V	Hz	A	W	RPM	CFM	mm H <sub>2</sub> O	dB(A)	Nos.
EC - 12038 A2 T	EC026	Sleeve	230	50	0.07	6.5	2800	105	7	43	40
EC - 12038 B2 T	EC030	Ball	230	50	0.07	6.5	2850	110	7.4	43	
EC - 12038 A2 W	EC028	Sleeve	230	50	0.07	6.5	2800	105	7	43	
EC - 12038 B2 W	EC032	Ball	230	50	0.07	6.5	2850	110	7.4	43	

Note : A = Sleeve Bearing 2 = 230 Volt T = Terminal W = Lead Wire



\* Specifications Subject to Change Without Notice