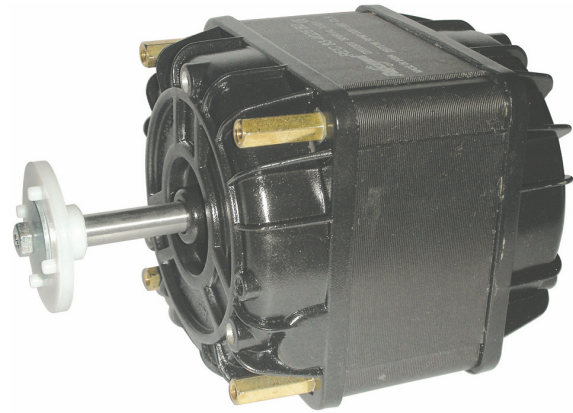


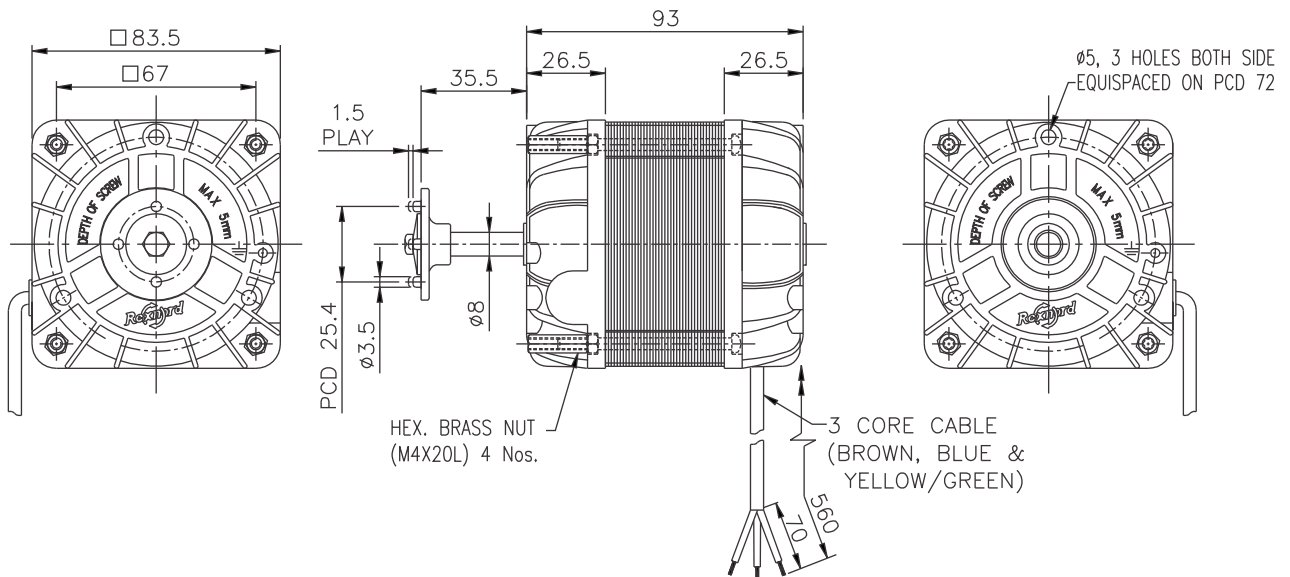
**83 x 83 x 40 mm**

- Motor Design : Shaded Pole Motor
- Housing : Aluminium Die-cast
- Bearing : Ball Bearing
- Operating Voltage : 230V (185 - 245 VAC)
- Dielectric Strength : AC 1500V for 1 minute
- Insulation : Class B
- Insulation Resistance : Above 100M Ohms at 500 VDC
- Connection : Lead Wire
- \* **Feature** : Without Mounting Legs
- Motor Protection : Thermal Protected
- Direction of Rotation : CCW
- Operating Temperature : - 40 to + 40°C
- Net Weight : 2100 Grams



**Specification**

Model	Code No.	Voltage	Frequency	Current	Input Power	Output Power	Speed	Box Packing
REC		V	Hz	A	W	W	RPM	Nos.
8340 - 25 B2	QM104	230	50	0.43	44	25	1450	10



\* Specifications Subject to Change Without Notice